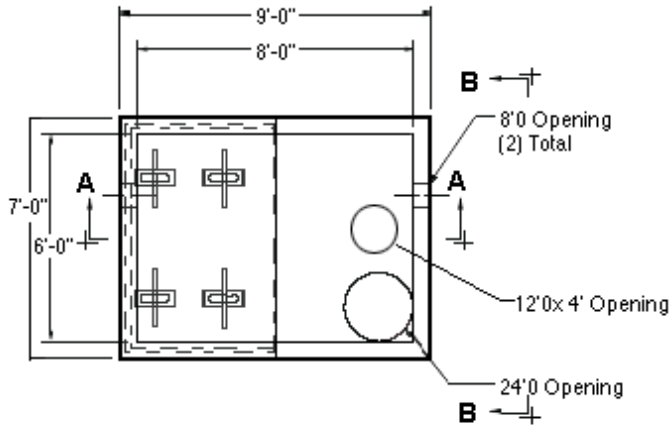


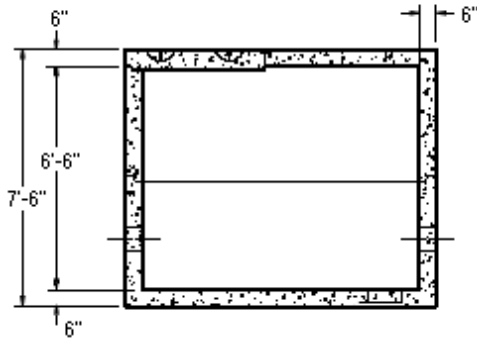
**Meter Pit**  
**Model No. FCMP6X 8-66**  
**6'- 0" x 8'- 0" x 6'-6"**  
**Three Piece Design**  
**Frederick City**



**PLAN VIEW**

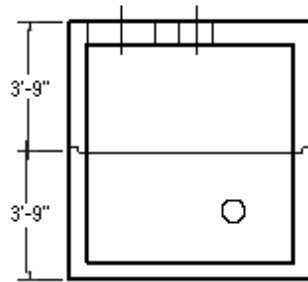
- NOTES:
1. CONCRETE- 5,000 P.S.I. MINIMUM STRENGTH @28 DAY S
  2. STEEL REINFORCEMENT-ASTM A-615 GRADE 60
  3. COVER TO STEEL - 1" MINIMUM
  4. VAULTS ARE DESIGNED TO MEET ASTM C857 AND ACI 318 WITH AASHTO HS-20 LOADING
  5. CONSTRUCTION JOINT- SEALED WITH BUTYL RUBBER RESIN OR EQUIVALENT
  6. EARTH COVER - 0 TO 5 FEET

**Meter Pit**  
**Model No. FCMP6X 8-66**  
**6'- 0" x 8'- 0" x 6'-6"**  
**Three Piece Design**  
**Frederick City**



**SECTION A - A**

**Meter Pit**  
Model No. FCMP6X 8-66  
6'- 0" x 8'- 0" x 6'-6"  
Three Piece Design  
Frederick City



**END VIEW**

**Meter Pit**  
Model No. FCMP6X 8-66  
6'- 0" x 8'- 0" x 6'-6"  
Three Piece Design  
Frederick City