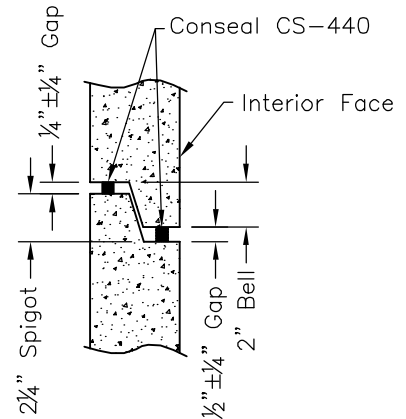
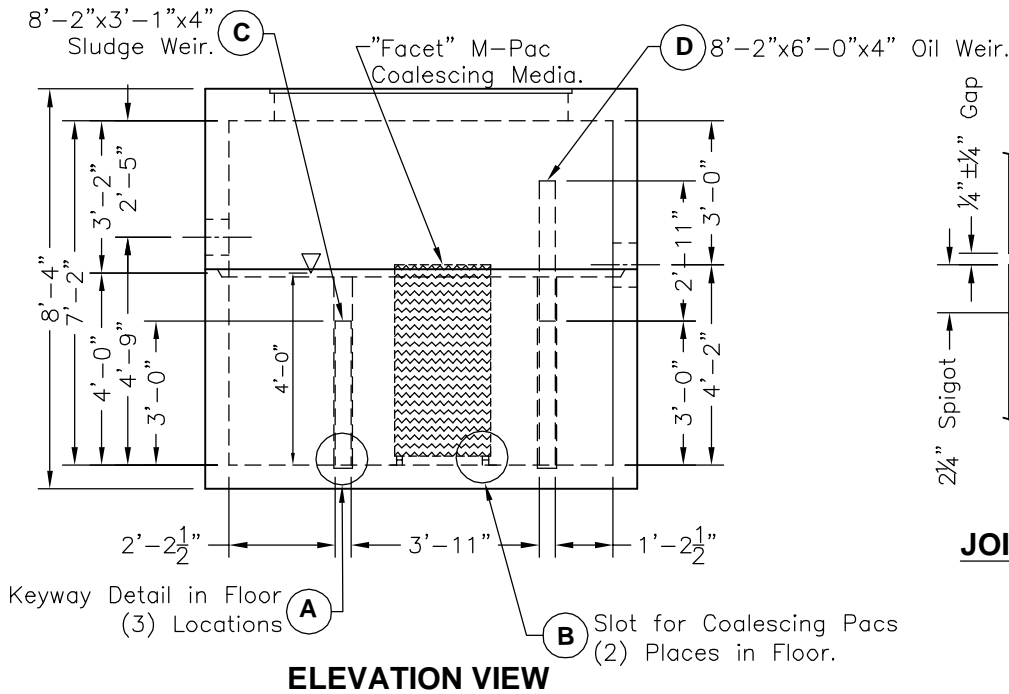
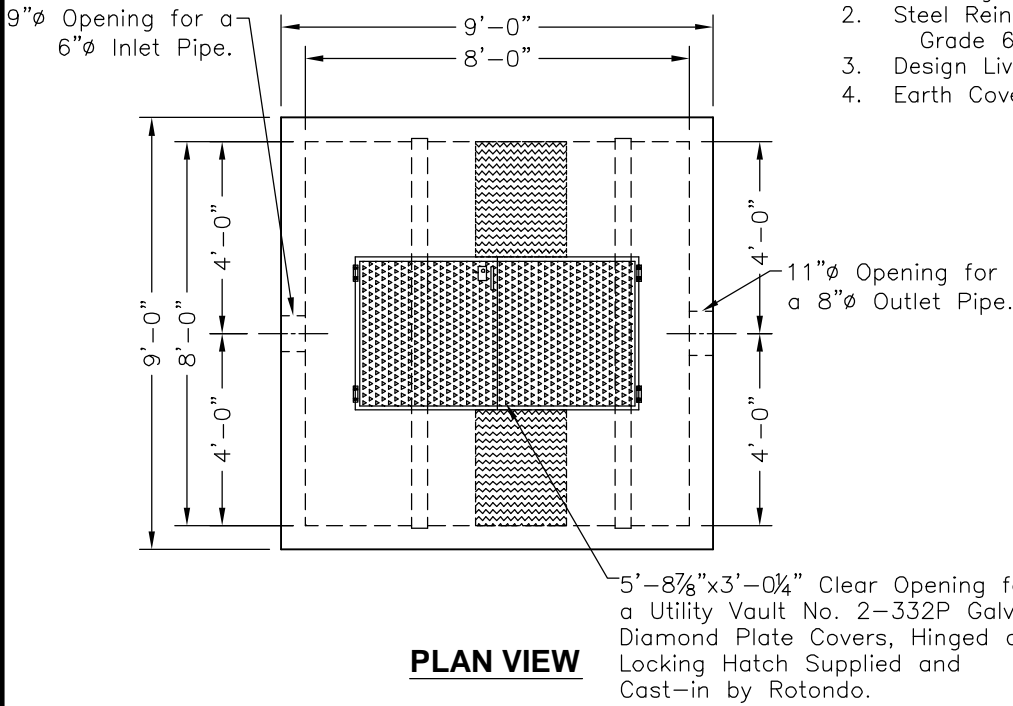


**GENERAL NOTES:**

1. Concrete: 28 Day Compressive Strength  $f'_c = 5,000$  psi
2. Steel Reinforcement: ASTM A-615, Grade 60
3. Design Live Load: HS-20
4. Earth Cover: 0'-6" Min to 5'-0" Max



**JOINT DETAIL**

SCALE: 1/4" = 1'-0"



5115 Massaponax Church Road, Fredericksburg, Virginia  
Phone: 540.898.6300 Fax: 540.898.2389

**O/W SEPERATOR**

FILE NAME: 365DTCOM30DE.DWG

ISSUE DATE: January, 2003

**8'-0" x 8'-0" x 7'-2"**  
**Oil and Water Separator**  
**(1920 G)**

Copyright © 2003 Oldcastle Precast, Inc.