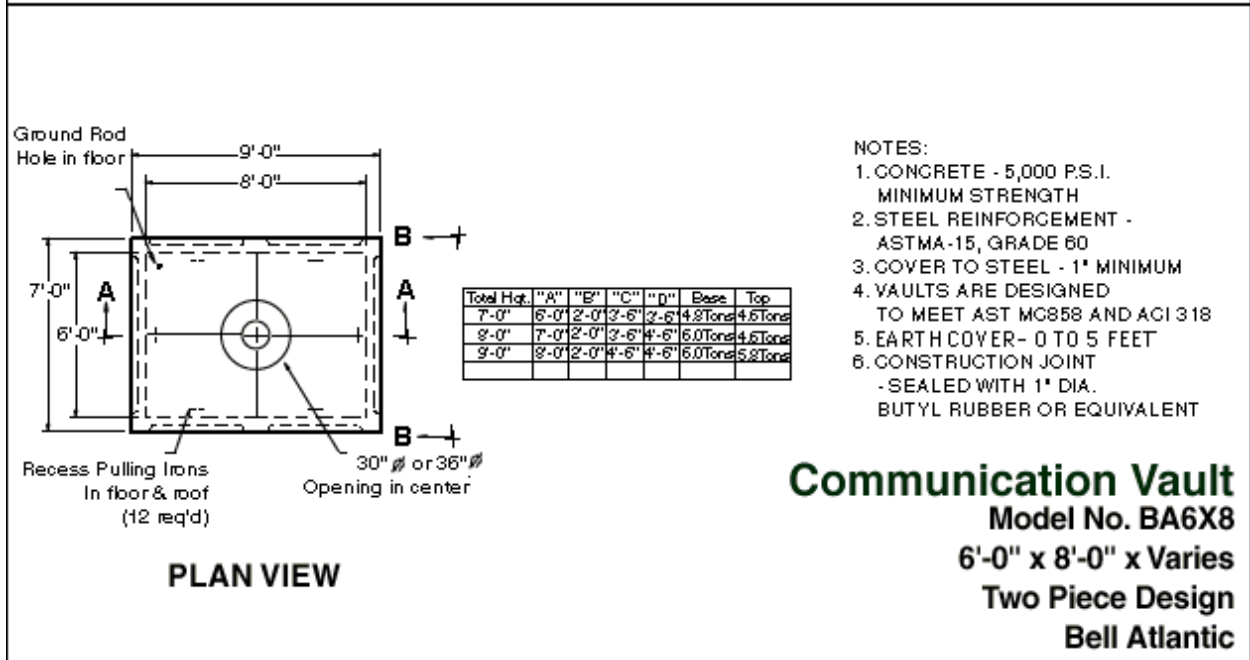
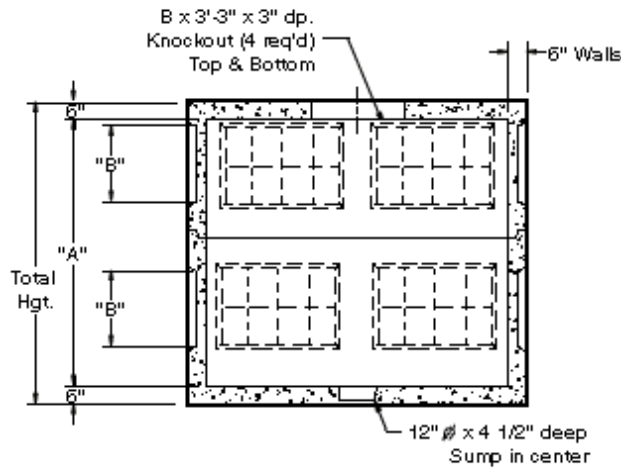


**Communication Vault**  
**Model No. BA6X8**  
**6'-0" x 8'-0" x Varies**  
**Two Piece Design**  
**Bell Atlantic**



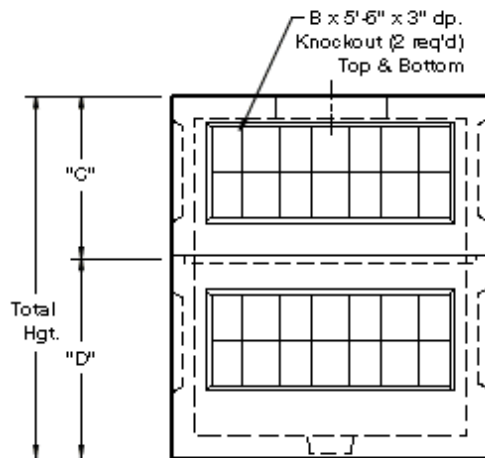
- NOTES:
1. CONCRETE - 5,000 P.S.I. MINIMUM STRENGTH
  2. STEEL REINFORCEMENT - ASTM A-15, GRADE 60
  3. COVER TO STEEL - 1" MINIMUM
  4. VAULTS ARE DESIGNED TO MEET AST MC858 AND ACI 318
  5. EARTH COVER- 0 TO 5 FEET
  6. CONSTRUCTION JOINT - SEALED WITH 1" DIA. BUTYL RUBBER OR EQUIVALENT

**Communication Vault**  
**Model No. BA6X8**  
**6'-0" x 8'-0" x Varies**  
**Two Piece Design**  
**Bell Atlantic**



**SECTION A - A**

**Communication Vault**  
 Model No. BA6X8  
 6'-0" x 8'-0" x Varies  
 Two Piece Design  
 Bell Atlantic



**END VIEW**

**Communication Vault**  
 Model No. BA6X8  
 6'-0" x 8'-0" x Varies  
 Two Piece Design  
 Bell Atlantic