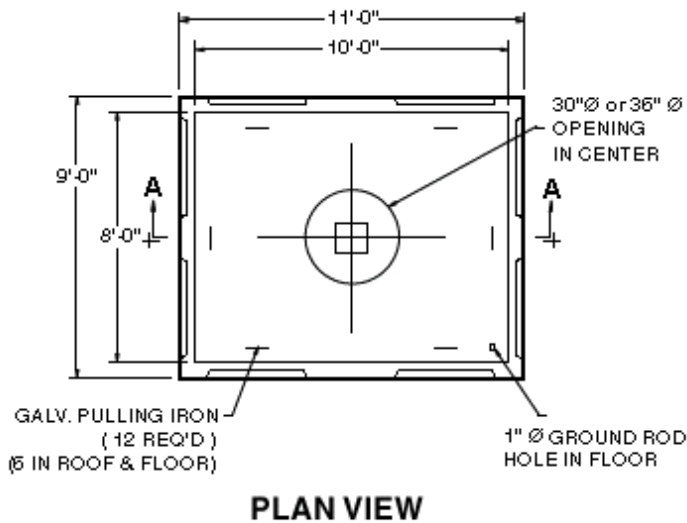
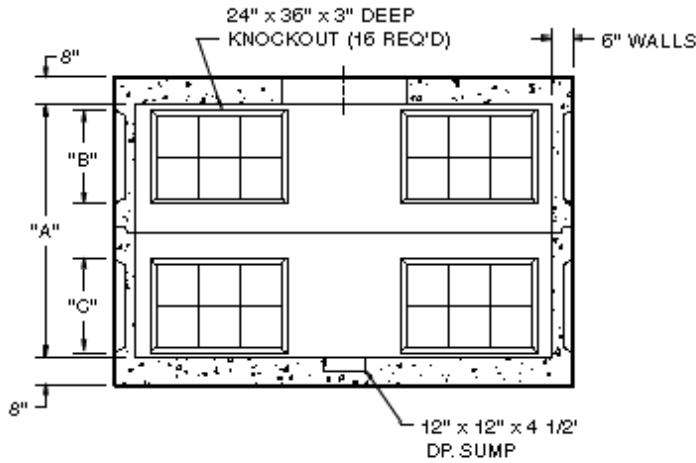


Hand Hole
Model No. HH8X10X8
8'-0" x 10'-0"
Two Piece Design



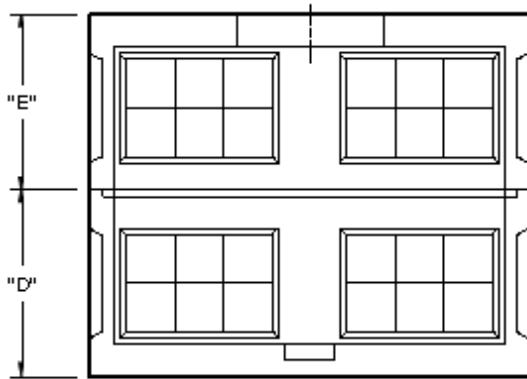
- NOTES:
1. CONCRETE - 5,000 P.S.I. MINIMUM STRENGTH
 2. STEEL REINFORCEMENT - ASTMA-15, GRADE 60
 3. COVER TO STEEL - 1" MINIMUM
 4. VAULTS ARE DESIGNED TO MEET AST MC858 AND ACI 318
 5. EARTH COVER - 0 TO 2 FEET
 6. CONSTRUCTION JOINT - SEALED WITH 1" DIA. BUTYL RUBBER OR EQUIVALENT

Hand Hole
Model No. HH8X10X8
8'-0" x 10'-0"
Two Piece Design



SECTION A - A

Hand Hole
Model No. HH8X10X8
8'-0" x 10'-0"
Two Piece Design



END VIEW

Hand Hole
Model No. HH8X10X8
8'-0" x 10'-0"
Two Piece Design

TOTAL HGT	"A"	"B"	"C"	"D"	"E"	BASE	TOP
7'-0"	6'-0"	2'-0"	2'-0"	3'-6"	3'-6"	8.4 TONS	8.3 TONS
8'-0"	7'-0"	2'-0"	3'-0"	3'-6"	4'-6"	9.75 TONS	8.3 TONS
9'-0"	8'-0"	3'-0"	3'-0"	4'-6"	4'-6"	9.75 TONS	9.65 TONS

Hand Hole
Model No. HH8X10X8
8'-0" x 10'-0"
Two Piece Design