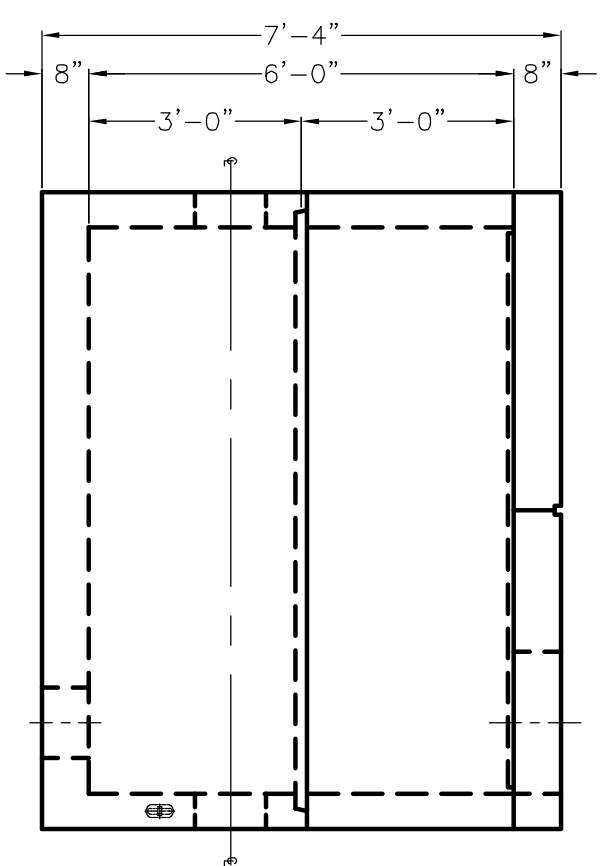
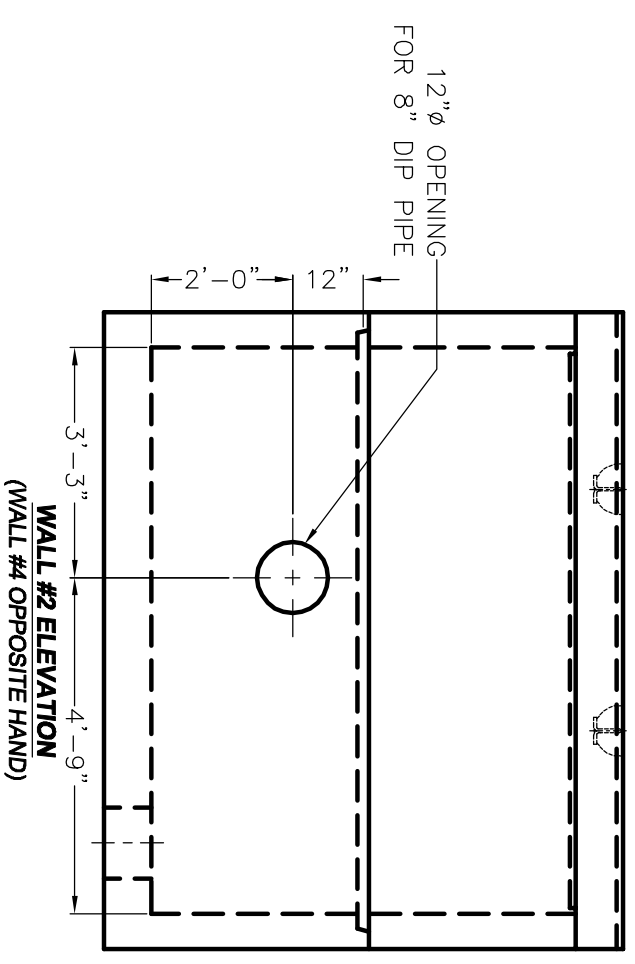


**PLAN VIEW**



**WALL #1 ELEVATION  
(WALL #3 OPPOSITE HAND)**

**8'-0" x 8'-0" x 6'-0" - 8" METER VAULT**



THIS DRAWING CONTAINS INFORMATION PROPRIETARY TO OUDCASTLE PRECAST. THIS DRAWING IS DISCLOSED WITH THE UNDERSTANDING THAT IT WILL BE RETAINED IN CONFIDENTIALITY AND NOT BE REPRODUCED OR TRANSMITTED IN ANY FORM OR BY ANY MEANS, ELECTRONIC OR MECHANICAL, INCLUDING PHOTOCOPYING, RECORDING, OR BY ANY INFORMATION STORAGE AND RETRIEVAL SYSTEM. WITHOUT THE WRITTEN PERMISSION OF OUDCASTLE PRECAST, NO REPRODUCTION OF THIS DRAWING IS AUTHORIZED & THAT IT WILL BE RETURNED TO OUDCASTLE PRECAST ON DEMAND. CUSTOMER IS RESPONSIBLE TO VERIFY THAT INFORMATION SHOWN ON SHOP DRAWINGS IS IN COMPLIANCE WITH MOST PRESENT PROJECT DOCUMENTS & FIELD CONDITIONS. NOTE: PRODUCTION WILL NOT COMMENCE UNTIL RECEIPT OF SIGNED APPROVED SHOP DRAWINGS.

		5115 MASSAPONAX CHURCH RD. FREDERICKSBURG, VA. 22407 PHONE: 540.898.6300 FAX: 540.898.2389	
MANUFACTURERS OF QUALITY PRECAST CONCRETE PRODUCTS			
DRAWN BY:	DATE:	SCALE:	JOB NO:
R.A.H.	3/19/08	3/8" = 1'-0"	
APPROVED BY:	DATE:	PROJECT:	
		] PRECAST CONCRETE 8" METER VAULT ]	
CUSTOMER:	SHEET NO.	TITLE:	
	1 OF 1	8BX86-SMW_FCWA	