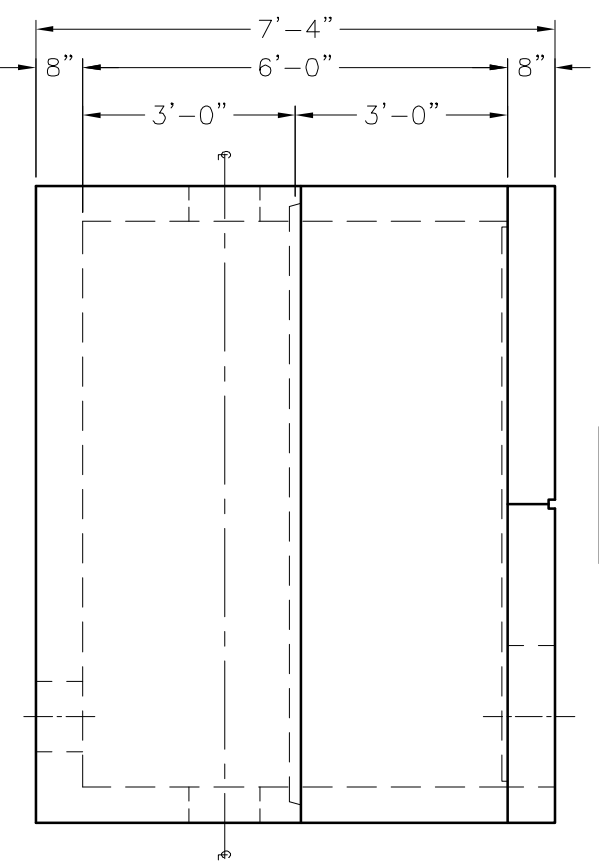
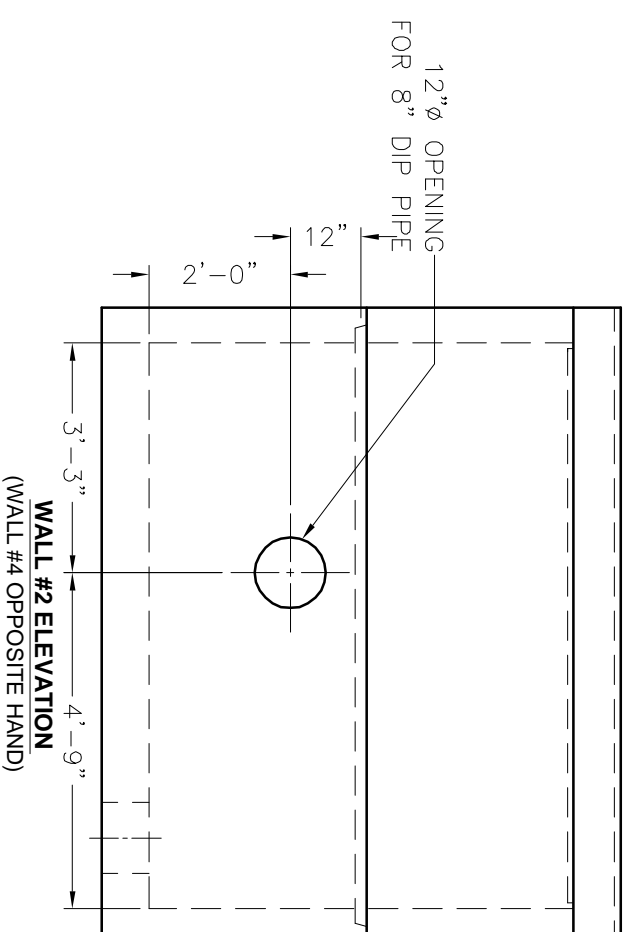


PLAN VIEW



WALL #1 ELEVATION
(WALL #3 OPPOSITE HAND)

8'-0" x 8'-0" x 6'-0" - 8" METER VAULT



THIS DRAWING CONTAINS INFORMATION PROPRIETARY TO OLDCASTLE PRECAST. THIS DRAWING IS DISCLOSED WITH THE UNDERSTANDING THAT IT WILL BE PREPARED IN SECRECY AND THAT IT IS NOT TO BE REPRODUCED OR FOR WHICH IT IS DISCLOSED. IT IS UNDERSTOOD THAT NO REPRODUCTION OF THIS DRAWING IS AUTHORIZED & THAT IT WILL BE RETURNED TO OLDCASTLE PRECAST ON DEMAND. CUSTOMER IS RESPONSIBLE TO VERIFY THAT INFORMATION SHOWN ON SHOP DRAWINGS IS IN COMPLIANCE WITH MOST PRESENT PROJECT DOCUMENTS & FIELD CONDITIONS. NOTE: PRODUCTION WILL NOT COMMENCE UNTIL RECEIPT OF SIGNED APPROVED SHOP DRAWINGS.

		5115 MASSAPONAX CHURCH RD. FREDERICKSBURG, VA. 22407 PHONE: 540.898.6300 FAX: 540.898.2389	
MANUFACTURERS OF QUALITY PRECAST CONCRETE PRODUCTS			
DRAWN BY:	DATE:	SCALE:	JOB NO.
R.A.H.	3/20/08	#####-0'	
APPROVED BY:	DATE:	PROJECT:	
		PRECAST CONCRETE FAIRFAX COUNTY WATER AUTHORITY	
CUSTOMER:	SHEET NO.	TITLE:	
	1 OF 1	8X8X6 - 8M - FCWA.DWG	