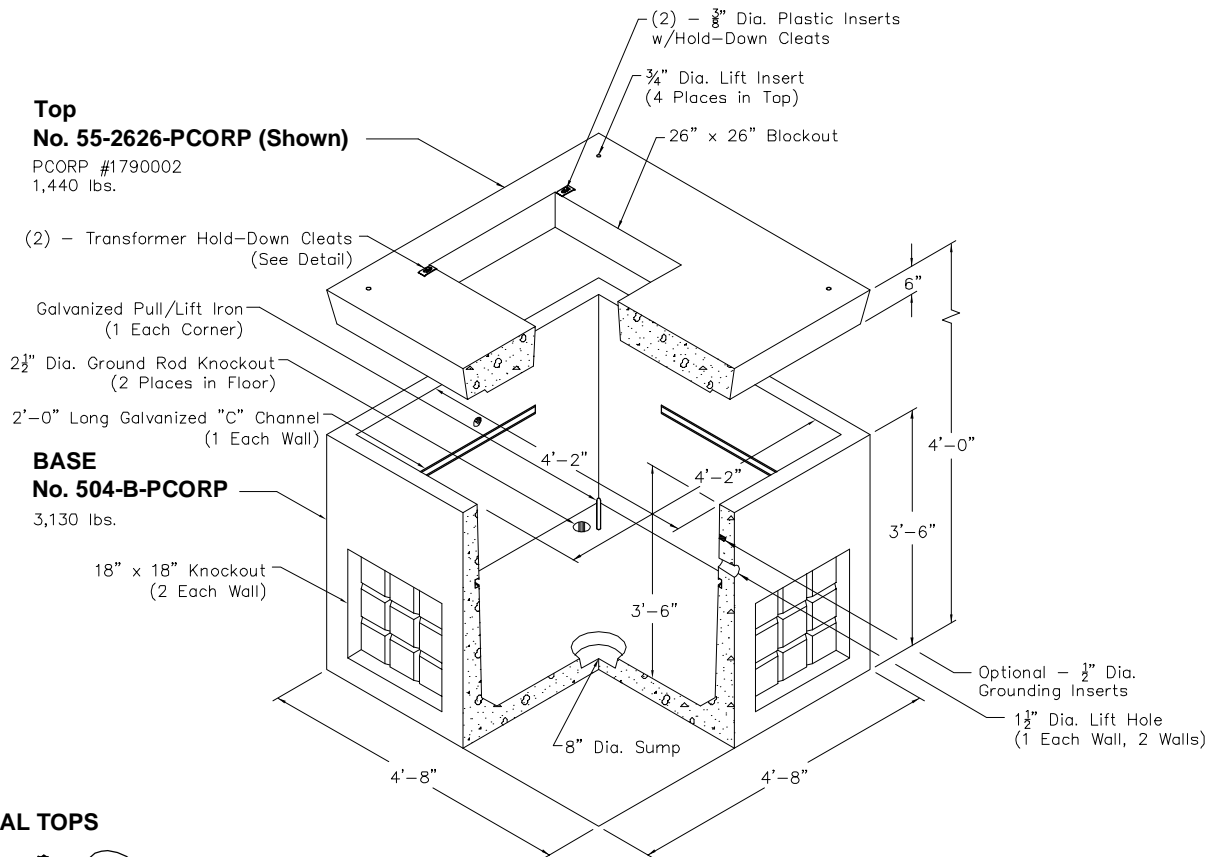
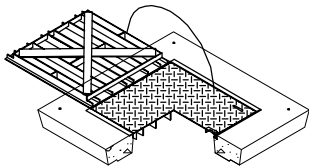


504-PCORP

- 4' x 4' Manhole
- Single Phase Transformer Padvault, Stock Item 1790002
- Incidental Traffic Vault, Stock Item 1790001
- Full Traffic Vault, Stock Item 1790003

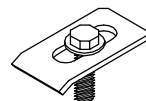


OPTIONAL TOPS



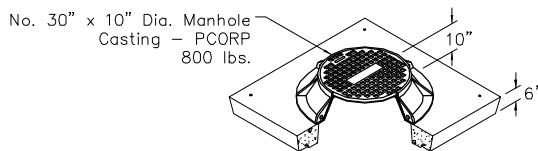
LOCKING GALVANIZED STEEL DOOR
 Optional-NonSlip Door
 No. 55-332P-PCORP (Shown)
 PCORP #1790001
 1,230 lbs.

TRANSFORMER HOLD-DOWN CLEAT




DETAIL

1 1/4" x 2 1/2" Stainless Steel Hold-Down Cleat - 2 Required
 3/8" x 1 1/4" Stainless Steel Bolt - 2 Required
 3/8" Stainless Steel Bellville Washer - 2 Required

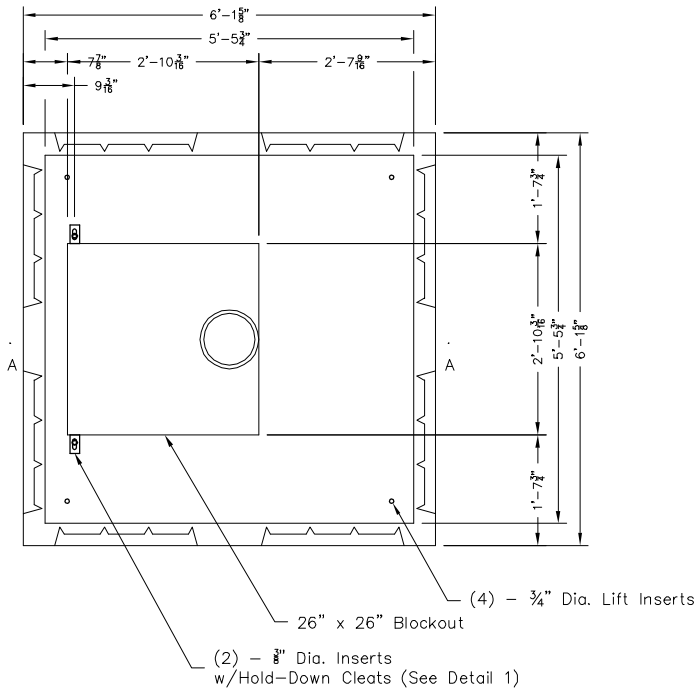


ROUND ACCESS
 No. 55-38C-PCORP
 PCORP #1790003
 1,230 lbs.

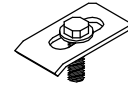
SCALE: 3/8" = 1'-0"

 Oldcastle Precast[®] Utility Vault PO Box 588, Auburn, Washington 98071-0588 Tel: (253) 839-3500 Fax: (253) 735-4201	504-PCORP	504-PCORP 4'-2" x 4'-2" x 3'-2" PACIFICORP ©2001-2010 Oldcastle Precast, Inc.
	File Name: 010-504PCORP	
	Issue Date: 2010	
	www.uvauburn.com	

504-PCORP



TRANSFORMER HOLD-DOWN CLEAT

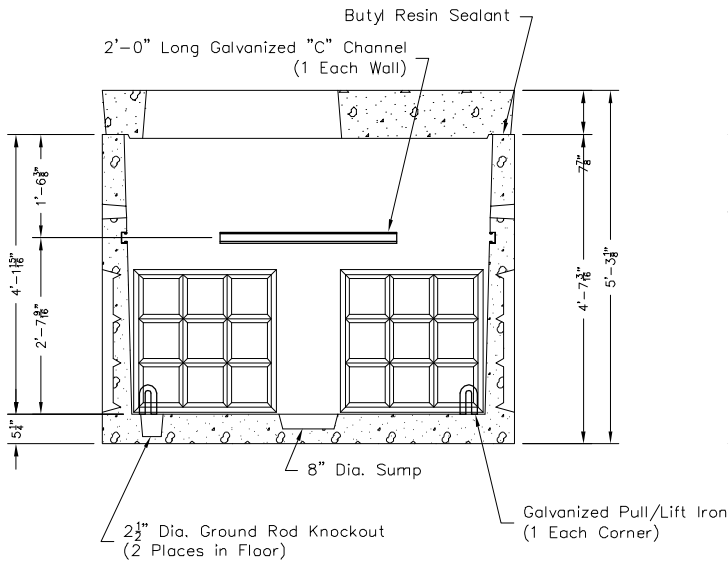


DETAIL 1

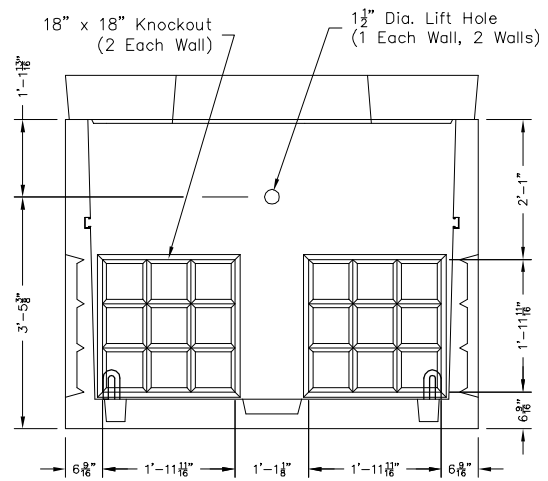
1 $\frac{1}{4}$ " x 2 $\frac{1}{2}$ " Stainless Steel Hold-Down Cleat - 2 Required
 $\frac{3}{4}$ " x 1 $\frac{1}{4}$ " Stainless Steel Bolt - 2 Required
 Stainless Steel Bellville Washer - 2 Required

PLAN VIEW

No. 55-2626-PCORP (SINGLE PHASE TRANSFORMER TOP)
 PCORP #1790002




SECTION AA



SIDE VIEW

SCALE: 3/8" = 1'-0"

 <p>Oldcastle Precast[®] Utility Vault</p> <p>PO Box 588, Auburn, Washington 98071-0588 Tel: (253) 839-3500 Fax: (253) 735-4201</p>	<p>504-PCORP</p>	<p>504-PCORP 4'-2" x 4'-2" x 3'-2" PACIFICORP</p> <p>©2001-2010 Oldcastle Precast, Inc.</p>
	<p>File Name: 010-504PCORP</p>	
	<p>Issue Date: 2010</p> <p>www.uvauburn.com</p>	