

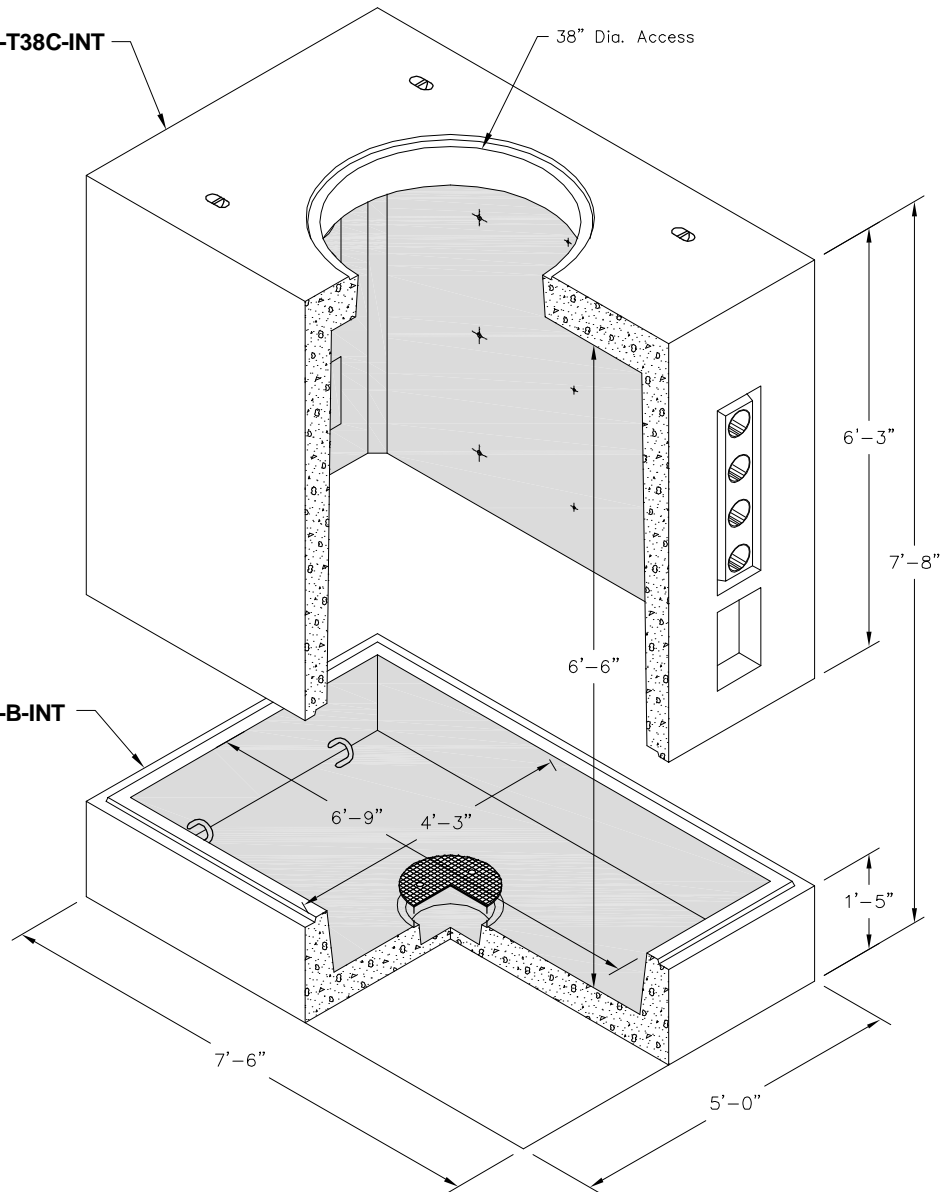
# VERIZON 466 INTERCEPT

ITEM CODE: 180015

## TOP SECTION

No. VERIZON-466-T38C-INT

WT. 11,340 lbs.



## BASE

No. VERIZON-466-B-INT

WT. 4,330 lbs.

SCALE: 3/8" = 1'-0"



**Oldcastle Precast**<sup>®</sup>  
Utility Vault

PO Box 588, Auburn, Washington 98071-0588  
Tel: (253) 839-3500 Fax: (253) 735-4201

## Verizon 466 Intercept

File Name: 010-466IN

Issue Date: 2010

[www.uvauburn.com](http://www.uvauburn.com)

## VERIZON 466 INTERCEPT

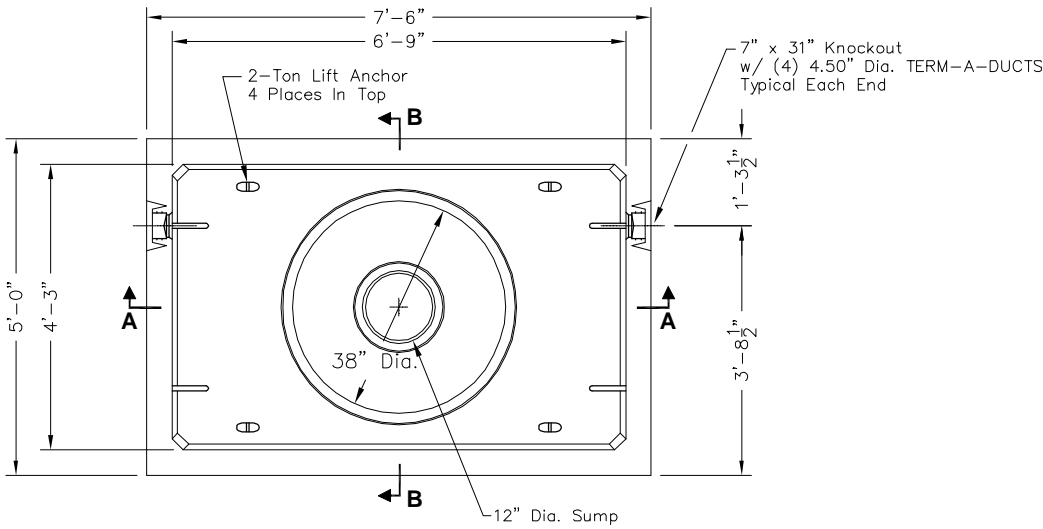
4'-3" x 6'-9" x 6'-6" I.D.

**COMMUNICATIONS**

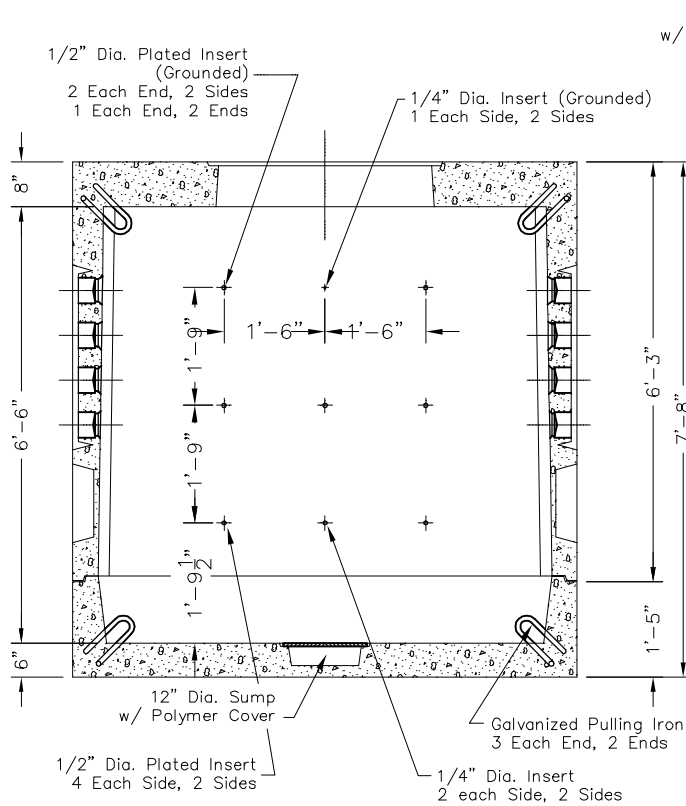
©1995-2010 Oldcastle Precast, Inc.

# VERIZON 466 INTERCEPT

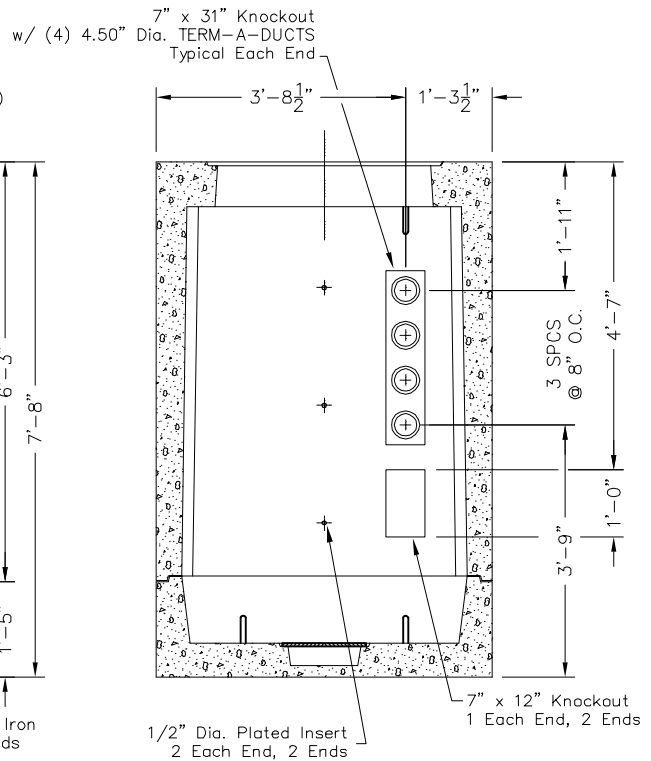
ITEM CODE: 180015



**PLAN VIEW**




**SECTION AA**



**SECTION BB**

SCALE: 3/8" = 1'-0"

 <p><b>Oldcastle Precast®</b> Utility Vault</p> <p>PO Box 588, Auburn, Washington 98071-0588 Tel: (253) 839-3500 Fax: (253) 735-4201</p>	<p><b>Verizon 466 Intercept</b></p>	<p><b>VERIZON 466 INTERCEPT</b> <b>4'-3" x 6'-9" x 6'-6" I.D.</b> <b>COMMUNICATIONS</b></p> <p>©1995-2010 Oldcastle Precast, Inc.</p>
	<p>File Name: 010-466IN</p>	
	<p>Issue Date: 2010</p>	
	<p><a href="http://www.uvauburn.com">www.uvauburn.com</a></p>	