

# 1212

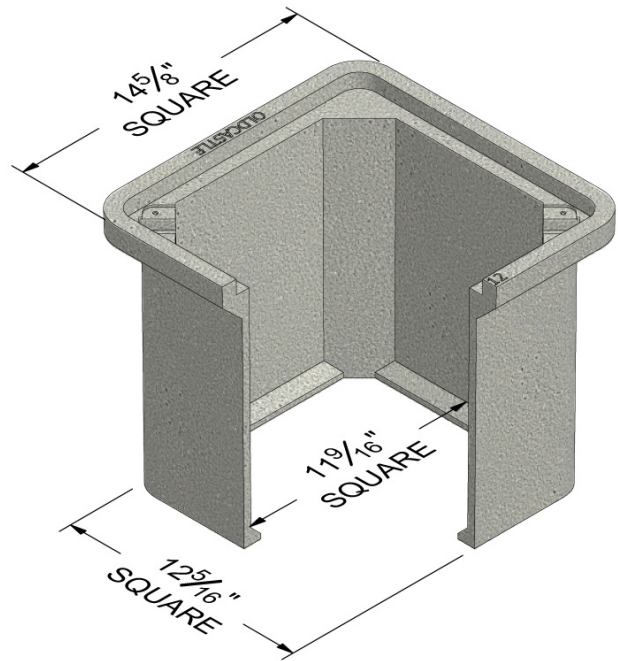
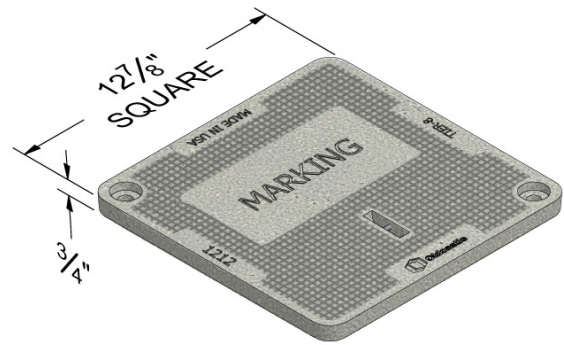
## OLDCASTLE POLYMER

(formerly H-Series)

### COVER

Style:	Flush Solid
Material:	Polymer Concrete
Model:	12" x 12"
Weight:	10 lbs
Std. Fasteners:	1/2-13 Stainless Steel Hex Head Bolt, Washer and Floating Nut
Options:	Logos and Special Markings
Surface:	Slip Resistant
Performance:	ANSI/SCTE-77, Tier 15 or Tier 22*

Cover comes standard with permanent markings for manufacturer, load rating, model size and manufacturing location.



### BODY

Material:	Polymer Concrete
Model:	12" x 12"
Weight:	12" Depth: 32 lbs.
Wall Type:	Straight
Performance:	ANSI/SCTE-77 Tier 22

### LOAD RATING / NOTES

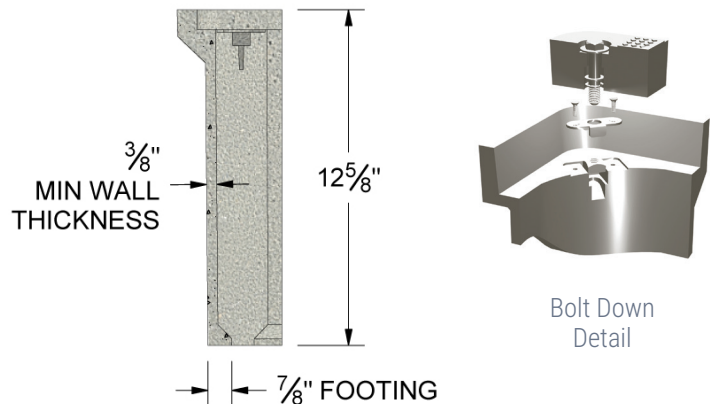


MEDIUM DUTY  
ANSI/SCTE TIER 15



HEAVY DUTY  
ANSI/SCTE TIER 22

For use in non-vehicular traffic situations only. Weights and dimensions may vary slightly. Actual load rating is determined by the box and cover combination.



\* Based upon lid and body combination, this unit can be Tier 15 or Tier 22. T22 rating when paired with T22 polymer concrete lid.

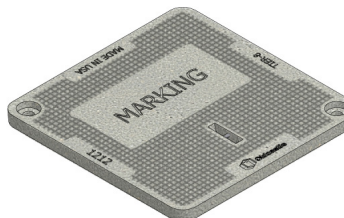
# 1212

## OLDCASTLE POLYMER

(formerly H-Series)

### COVER OPTIONS

Oldcastle Polymer, Flush Solid  
Steel, Solid



### FASTENER OPTIONS

Hex Head Bolt (A)  
Penta Head Bolt (B)  
Penta Head Coil Thread Bolt (B)  
Oldcastle Vandal Resistant Bolt (C)  
Captive Bolt Retainer



Standard Thread



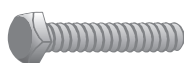
A



B



C



Coil Thread



Bolt Retainer  
(for standard thread)

### ADD ON OPTIONS

EMS Marker  
Mouseholes/Knockouts  
Rack Mount  
Cable Racks/Cable Arms  
Unistrut  
Pulling Eye - 1,000 lb and 3,000 lb  
Ground Buss  
Dividers  
Racking Provision  
Lid Gaskets\*  
Solid Bottom  
Custom Marking Plate (Polymer)



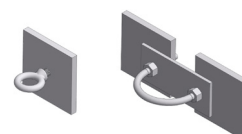
Rack Mount



Cable Rack  
Cable Arm



Unistrut



Pulling Eye



EMS Marker



Ground Buss

\* Lid Gaskets inhibit water flow into the box, they do not make enclosure fully waterproof.

**WARNING:** Cancer - [www.P65Warnings.ca.gov](http://www.P65Warnings.ca.gov)

All information contained on this sheet is current at the time of publication.  
Oldcastle reserves the right to discontinue or update product information without notice.

Revision 11/09/18  
© 2018 Oldcastle Infrastructure