

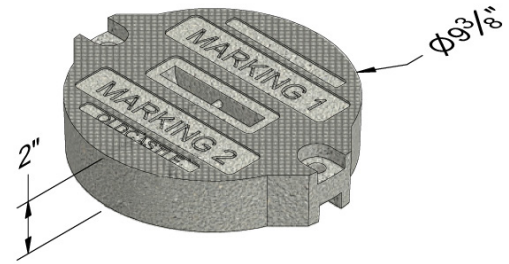
910

OLDCASTLE POLYMER

(formerly H-Series)

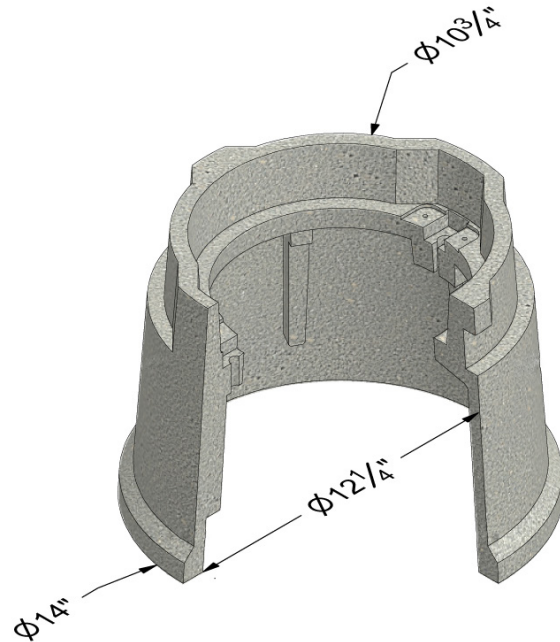
COVER

Style:	Flush Solid
Material:	Polymer Concrete
Model:	9" Dia.
Weight:	10 lbs.
Std. Fasteners:	3/8-16 Stainless Steel Hex Head Bolt, Washer and Floating Nut
Options:	Logos and Special Markings
Surface:	Slip Resistant
Performance:	ANSI/SCTE-77 Tier 22



BODY

Material:	Polymer Concrete
Model:	6" x 8"
Weight:	13 lbs.
Wall Type:	Straight
Performance:	ANSI/SCTE-77, Tier 15
Option:	Closed bottom

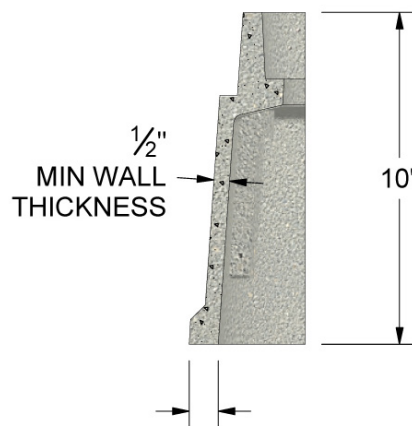


LOAD RATING / NOTES



HEAVY DUTY
ANSI/SCTE TIER 22

For use in non-vehicular traffic situations only. Weights and dimensions may vary slightly. Actual load rating is determined by the box and cover combination.



$\frac{7}{8}$ " FOOTING

910

OLDCASTLE POLYMER

(formerly H-Series)

COVER OPTIONS

Oldcastle Polymer, Flush Solid
Steel, Solid



FASTENER OPTIONS

Hex Head Bolt (A)
Penta Head Bolt (B)
Penta Head Coil Thread Bolt (B)
Oldcastle Vandal Resistant Bolt (C)
Captive Bolt Retainer



Standard Thread



A



B



C



Coil Thread



Bolt Retainer
(for standard thread)

ADD ON OPTIONS

EMS Marker
Mouseholes/Knockouts
Ground Buss
Lid Gaskets*



EMS Marker



Ground Buss

* Lid Gaskets inhibit water flow into the box, they do not make enclosure fully waterproof.

 **WARNING:** Cancer - www.P65Warnings.ca.gov

All information contained on this sheet is current at the time of publication.
Oldcastle reserves the right to discontinue or update product information without notice.

Revision 11/09/18
© 2018 Oldcastle Infrastructure