

MATERIAL & STYLE

Composite
Flush, Split Cover
T-Cover, Split Cover
Non-skid texture

HARDWARE

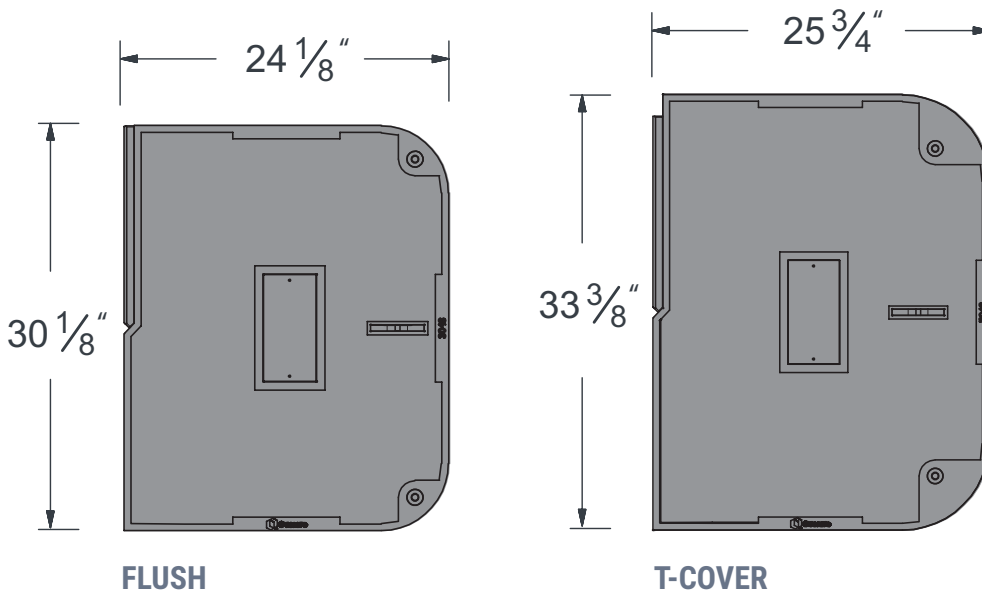
1/2-6 Stainless Steel Hex
Head Bolt, Washer and
Push Nut

**PERFORMANCE &
WEIGHT**

ANSI/SCTE-77, Tier 22
Flush Cover: 39 lbs / Half
T-Cover: 43 lbs / Half

OPTIONS

Hex Head Coil Thread Bolt
Penta Head Coil Thread Bolt
Logos and Special Markings
Marking Plate
EMS Marker



Cover comes standard with permanent markings for manufacturer, load rating, model size and manufacturing location.

WARNING: Cancer - www.P65Warnings.ca.gov

All information contained on this sheet is current at the time of publication.
Oldcastle reserves the right to discontinue or update product information without notice.

Revision 06/16/20



HEAVY DUTY
ANSI/SCTE TIER 22

For use in non-vehicular traffic situations only. Weights and dimensions may vary slightly. Actual load rating is determined by the box and cover combination.

© 2020 Oldcastle Infrastructure, Inc