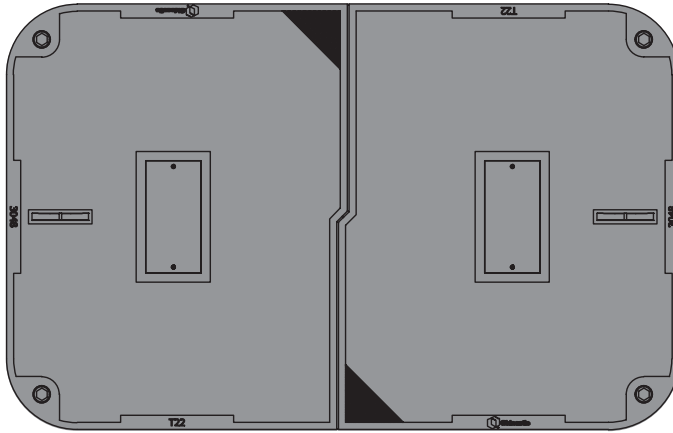


## 3048 Cover



### Material & Style

Composite  
Flush, Split Cover  
T-Cover, Split Cover  
Non-skid texture

### Hardware

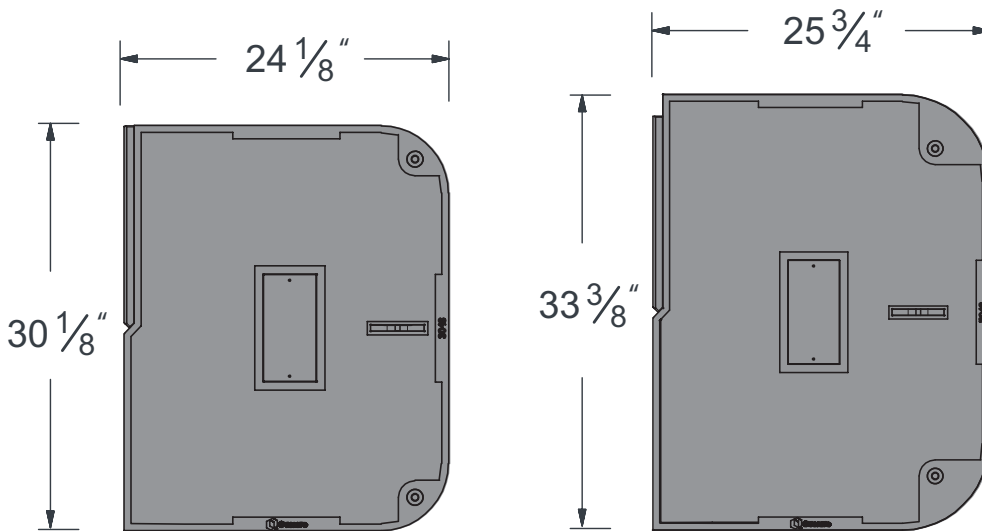
1/2-6 Stainless Steel Hex Head Bolt, Washer and Push Nut

### Performance & Weight

ANSI/SCTE-77, Tier 22  
Flush Cover: 39 lbs / Half  
T-Cover: 43 lbs / Half

### Options

Hex Head Coil Thread Bolt  
Penta Head Coil Thread Bolt  
Logos and Special Markings  
Marking Plate  
EMS Marker



Flush

T-Cover

Cover comes standard with permanent markings for manufacturer, load rating, model size and manufacturing location.

**WARNING:** Cancer - [www.P65Warnings.ca.gov](http://www.P65Warnings.ca.gov)

All information contained on this sheet is current at the time of publication. Oldcastle reserves the right to discontinue or update product information without notice.

Revision 04/2023



**Heavy Duty**  
ANSI/SCTE TIER 22

For use in non-vehicular traffic situations only. Weights and dimensions may vary slightly. Actual load rating is determined by the box and cover combination.

© 2023 Oldcastle Infrastructure, Inc.