

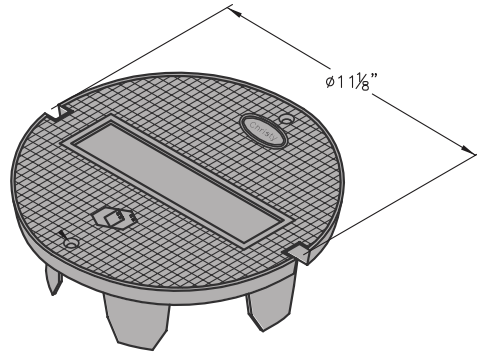
G05

CHRISTY®

COVER

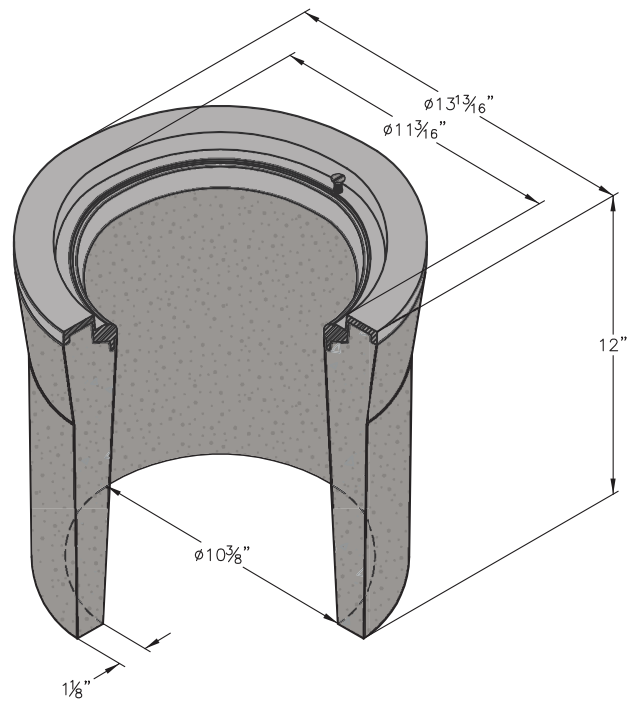
Style:	Flush
Material:	Cast Iron
Model:	11" Dia.
Weight:	14 lbs
Options:	Special Markings
Surface:	Skid Resistant & Marked*
Coefficient of Friction:	>0.6 ASTM 1028
Performance:	H20, AASHTO M306

Cover comes standard with permanent markings for manufacturer, load rating, model size and manufacturing location.



BODY

Material:	Reinforced Concrete with Steel Frame
Model:	14" Dia.
Weight:	58 lbs
Wall Type:	Straight
Mouseholes:	0
Performance:	H20, AASHTO M309



GRADE RING

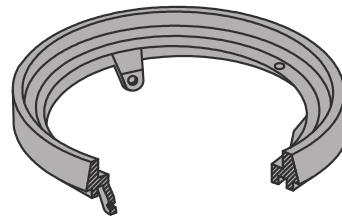
Material:	Cast Iron
Grade Options:	1" Height
	1-1/2" Height
	2" Height

LOAD RATING / NOTES



TRAFFIC RATED
AASHTO H20

Actual load rating is determined by the box and cover combination.



WARNING: Cancer and Reproductive Harm - www.P65Warnings.ca.gov

All information contained on this sheet is current at the time of publication. Oldcastle reserves the right to discontinue or update product information without notice.

Revision 11/11/20
© 2020 Oldcastle Infrastructure