

Gate Valve & Service Boxes

Gas curb service boxes (CSV) and roadway valve boxes (RVB)

Solid Plastic Injection Molded vs. Cast Iron

- Will not rust together
- Non-conductive
- White base reflects light inside box
- Top section is magnetically locatable
- Length and knockouts can be modified with hand tools
- Interchangeable with existing cast iron bases
- Lightweight

CSB: 5 - 8 lbs. (vs 25 lbs for cast iron)

RVB: 35 - 40 lbs. (vs 120 lbs for cast iron)

Adjustable Height

- CSB: Screw Type and New Slip Type adjustable 31" - 84"
- RVB: Screw Type adjustable 22" - 72"

H-20 rated with cast iron ring and cover

Several cover logo options

CSB - Curb Service Utility Boxes

- Designed for curb stops through 2"
- Molded-in pipe knockouts
- Locking cover available
- Available with either cast iron or plastic ring and cover

RVB - Roadway Valve Boxes

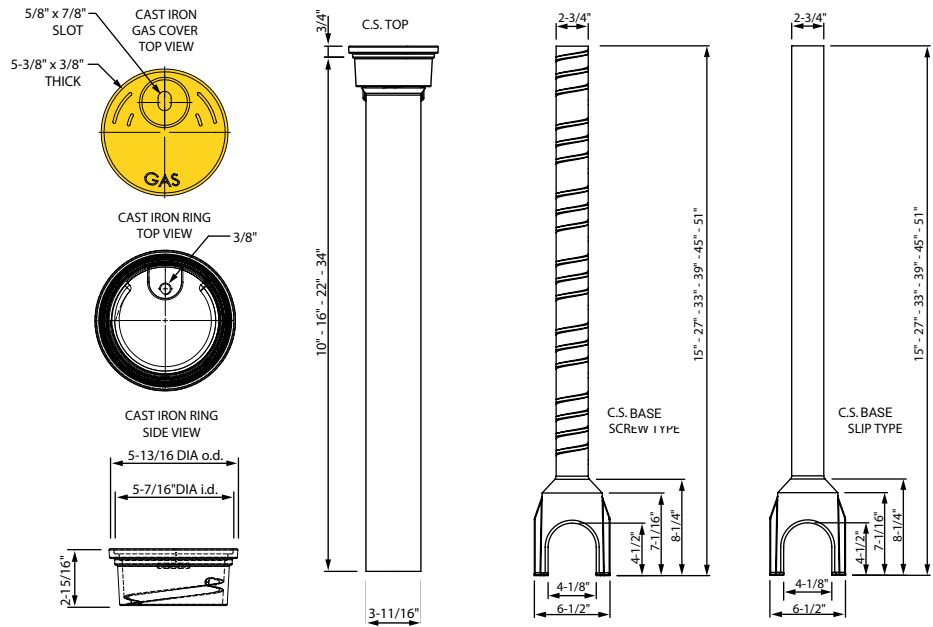
- Designed to collapse and split over the valve in the case of roadway failure to protect the valve from damage
- Riser rings available to adjust to grade
- Won't chip the valve coating
- No Flip Cast Iron Cover
- 20" Extension available
- #6 White base available
- Designed for 2" - 10" valve
- Optional valve key with debris cap available



Made in the USA

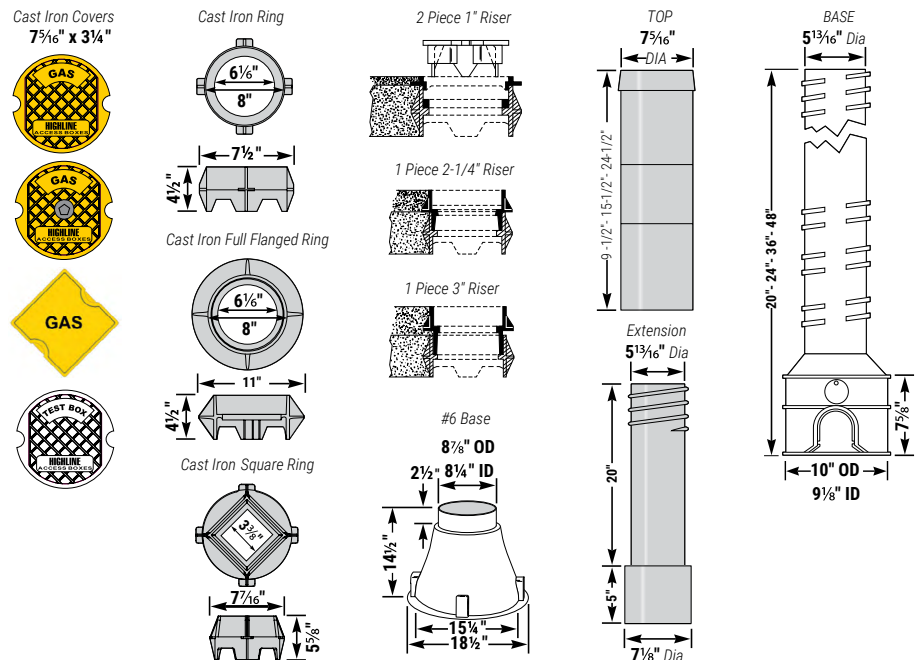
2-1/2" Curb Service Box (CSB)

- Depth of bury: 31" to 84"
- Plastic and cast iron GAS covers available
- Two sizes of curb box rods offered: 24" & 33"
- Designed for curb stops through 2"
- Available in screw or slip type



5-1/4" Roadway Valve Box (RVB)

- Depth of bury: 22" to 72"
- Plastic and cast iron GAS covers available
- Square cast iron ring & GAS covers available
- 20" Adjustable extensions available
- Two sizes of integral valve key w/debris cap available: 26" - 44" and 44" - 80"
- Designed for 2" through 10" valves
- Optional valve key available



2-1/2" Curb Service Box

Total Plastic Screw Type Box Including Ring & Gas Cover

Part #	Desc*	Ref #	Adj	Weight
110163-xx	2-22-27	93-D	31 - 47	5-1/4 lbs
110168-xx	2-22-33	93-E	35 - 53	5-3/8 lbs
110173-xx	2-22-39	94-E	40 - 60	5-1/2 lbs
110178-xx	2-22-45	95-E	46 - 66	5-5/8 lbs
110183-xx	2-22-51	100-E	52 - 72	5-3/4 lbs
110185-xx	2-34-51	101-F	52 - 84	6 lbs

Two digit (xx) suffix is used to distinguish cover type:
 -15 = Plastic GAS Cover
 -17 = Polycarbonate Ring, Cast Iron GAS Cover
 -21 = Cast Iron Ring, Cast Iron GAS Cover

5-1/4" Roadway Valve Box

Total Plastic Box Including Ring & Gas Cover

Part #	Desc*	Ref #	Adj	Weight
111129-xx	5-95-20	462	25 - 29	26-1/3 lbs
111130-xx	5-155-20	561	28 - 34	27-3/4 lbs
111133-xx	5-155-24	562	29 - 38	28-1/8 lbs
111136-xx	5-155-36	564	41 - 50	29-7/8 lbs
111137-xx	5-245-36	664	41 - 59	32-1/2 lbs
111140-xx	5-245-48	666	53 - 71	34-1/4 lbs

Two digit (xx) suffix is used to distinguish cover type:
 -04 = Full Flanged Ring, Cast Iron GAS Cover
 -05 = Cast Iron Ring, Cast Iron GAS Cover
 -08 = Square Cast Iron Ring, Square Cast Iron GAS Cover

Integral Valve Keys (IVKs)

For 5-14 RVBs

Part #	Adj	Desc
185003	26" - 44"	Valve key w/ debris cap
185004	44" - 80"	Valve key w/ debris cap

*Nominal diameter, top piece/base piece length