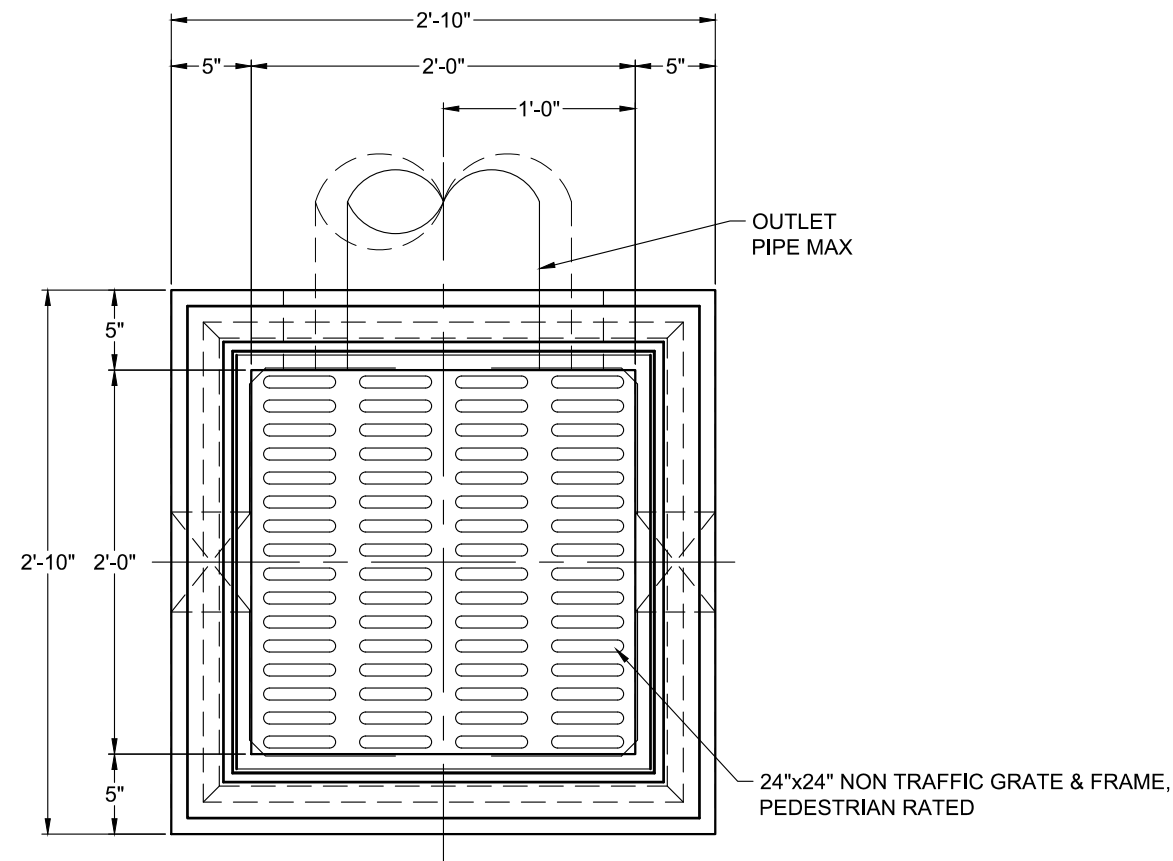
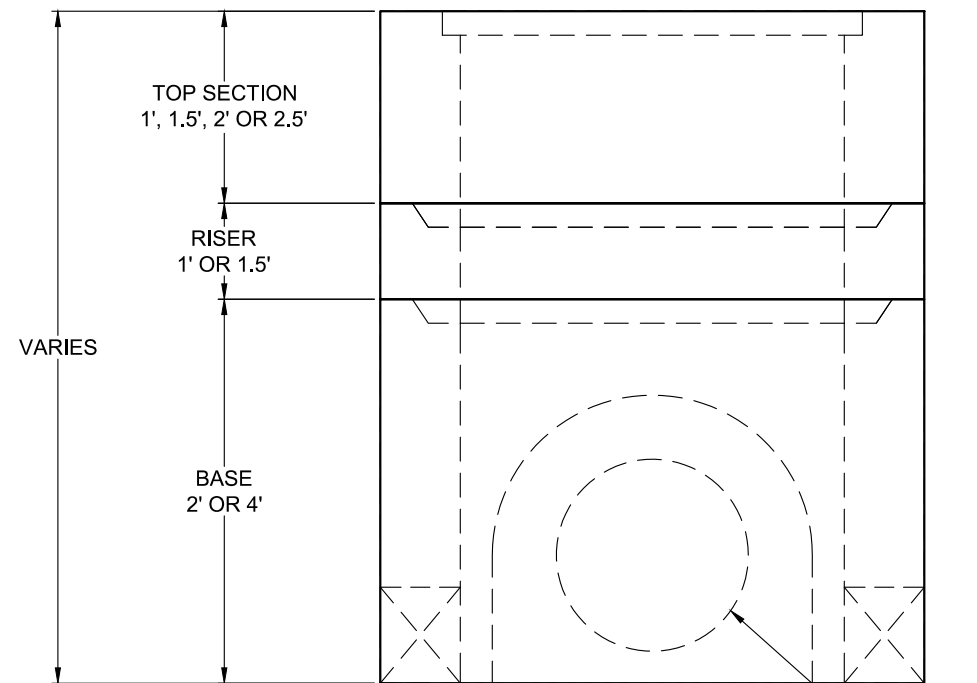


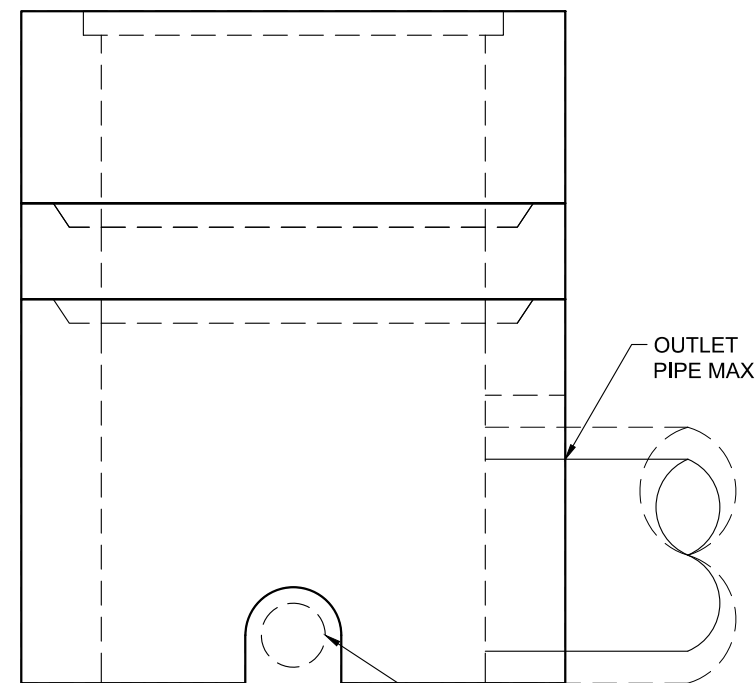
SITE SPECIFIC DATA			
Structure ID	ID		
Rim Elevation	X.XX'		
TerraMod Catch Basin Height	X.X'		
Pipe Data	Pipe Size	Pipe Type	Invert Elevation
Outlet	XX"	XXX	X.XX'
Underdrain	XX"	XXX	X.XX'
Notes:			
-			



PLAN VIEW



ELEVATION VIEW



RIGHT END VIEW

NOTES:

- DESIGN LOADINGS:
  - 300 PSF PEDESTRIAN LOADING.
  - ASSUMED WATER TABLE = BELOW BOTTOM OF PRECAST.
  - DRY LATERAL EARTH PRESSURE (EPF) = 45 PCF.
  - LATERAL LIVE LOAD SURCHARGE=80 PSF.
  - NO LATERAL SURCHARGE FROM ADJACENT BUILDINGS, WALLS, PIERS, OR FOUNDATIONS.
- CONCRETE 28 DAY COMPRESSIVE STRENGTH SHALL BE 5,000 PSI MINIMUM.
- STEEL REINFORCEMENT: REBAR, ASTM A-615 OR A-706, GRADE 60.
- MESH REINFORCEMENT: ASTM C-1064, GRADE 80.
- CEMENT: ASTM C-150 SPECIFICATION.
- REQUIRED NATIVE ALLOWABLE SOIL BEARING PRESSURE = 2,500 PSF.
- REFERENCE STANDARD:
  - ASTM C 890
  - ASTM C 913
- THIS STRUCTURE IS DESIGNED TO THE PARAMETERS NOTED HEREIN. PLEASE VERIFY THAT THESE PARAMETERS MEET PROJECT REQUIREMENTS. IF DESIGN PARAMETERS ARE INCORRECT, REVIEWING ENGINEER/AUTHORITY SHALL NOTIFY OLDCASTLE INFRASTRUCTURE UPON REVIEW OF THIS SUBMITTAL.
- OVERSIZED HOLES TO ACCOMMODATE SPECIFIC PIPE TYPE MUST BE CONCENTRIC TO PIPE ID. AFTER PIPES ARE INSTALLED, ALL ANNULAR SPACES SHALL BE FILLED WITH A MINIMUM OF 3000 PSI CONCRETE FOR FULL THICKNESS OF PRECAST WALLS. PIPES ARE TO BE FLUSH WITH THE INSIDE SURFACE OF THE CONCRETE STRUCTURE.
- CONTRACTOR RESPONSIBLE TO VERIFY ALL SIZES, LOCATIONS AND ELEVATIONS OF OPENINGS.
- CONTRACTOR RESPONSIBLE TO ENSURE ADEQUATE BEARING SURFACE IS PROVIDED (I.E. COMPACTED & LEVEL PER PROJECT SPECIFICATIONS).
- ALL EXTERIOR SURFACES SUPPLIED WITH "FORM FINISH."
- ADAPTORS/ANGLES AND EXTERNAL PIPING BY OTHERS.

**Oldcastle Infrastructure**  
A CRH COMPANY

Ph: 800.579.8819 | www.oldcastleinfrastructure.com/stormwater

THIS DOCUMENT IS THE PROPERTY OF OLDCASTLE INFRASTRUCTURE, INC. IT IS CONFIDENTIAL, SUBMITTED FOR REFERENCE PURPOSES ONLY AND SHALL NOT BE USED IN ANY WAY INJURIOUS TO THE INTERESTS OF, OR WITHOUT THE WRITTEN PERMISSION OF OLDCASTLE INFRASTRUCTURE, INC. COPYRIGHT © 2021 OLDCASTLE INFRASTRUCTURE, INC. ALL RIGHTS RESERVED.

TerraMod™ Modular (STANDARD)  
Catch Basin

CUSTOMER: -

PROJECT NAME: -

SHEET NAME	REVISION	SHEET
Specifier Drawing TM 2CB	REV DATE	1 OF 1

