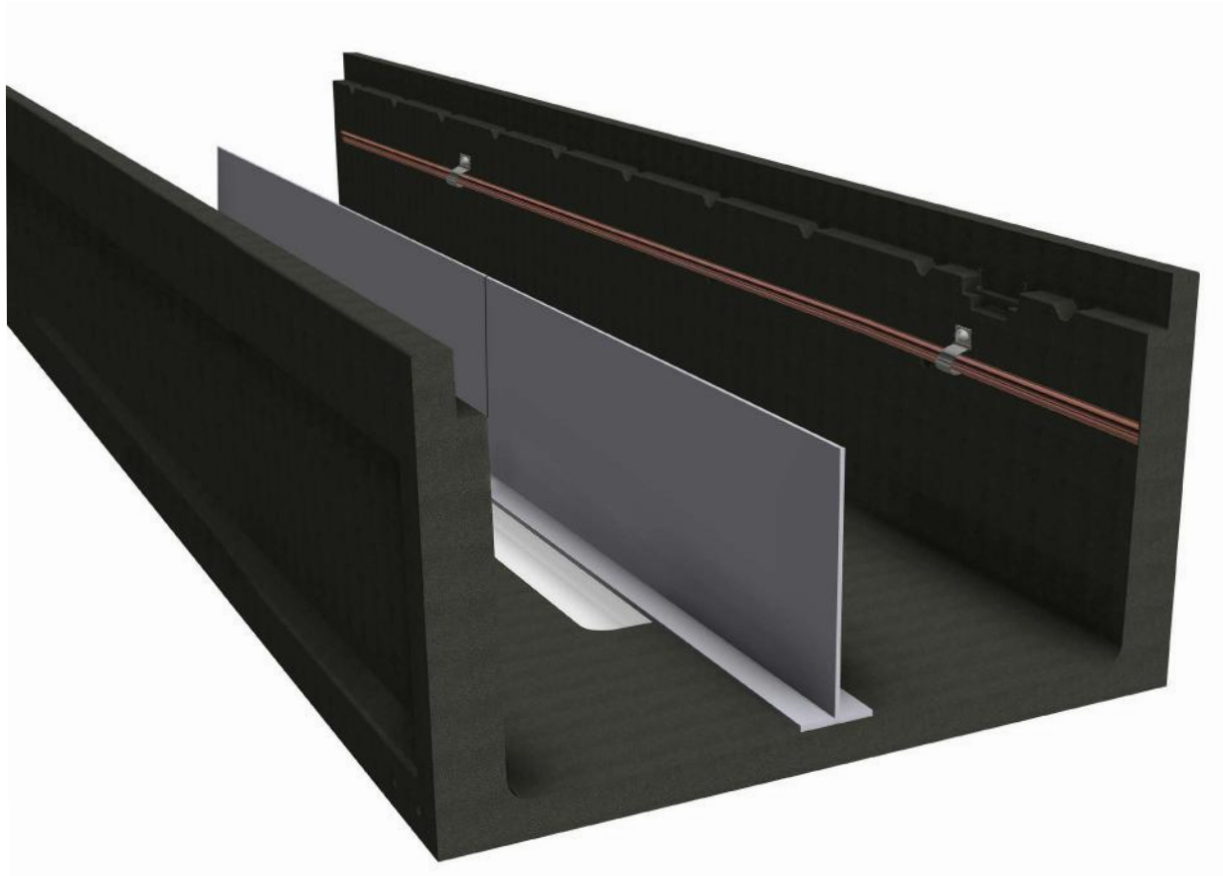


# PLASTIBETON®

Dividers and Cable Clips

INSTALLED OPTIONAL

CUSTOMIZE AS NEEDED



Accessories for cable  
**MANAGEMENT**



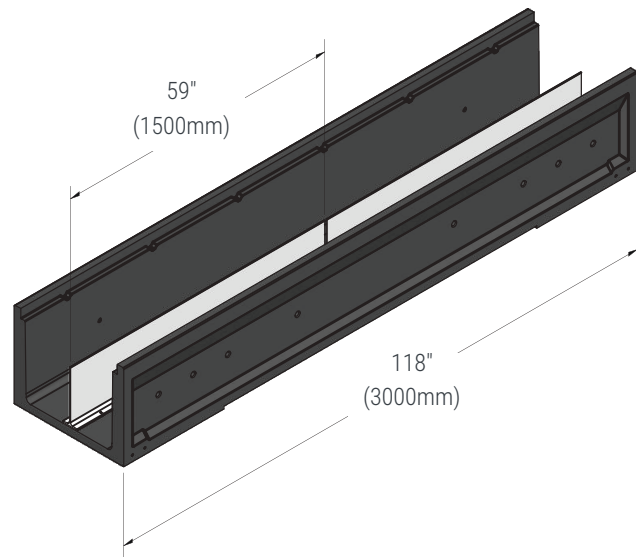
The Plastibeton® channel system has the accessories you need most for underground cable management. Easily separate different types of cable in a single trench with dividers. Free up more space on your trench floors by securing cable to the sidewalls with cable clips.

# ACCESSORIES

for cable management.

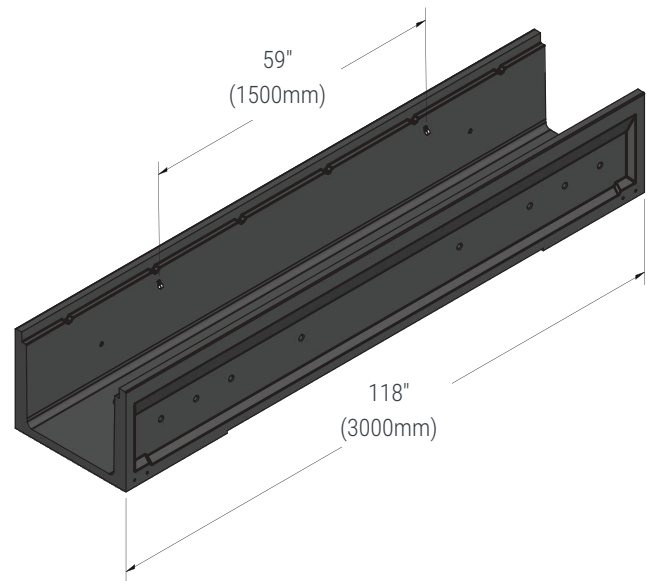
## Dividers

- | Lightweight
- | SMC construction
- | 59 inch standard lengths (2 per trench)
- | Factory anchored or shipped loose
- | Typically used to divide a trench into half or thirds



## Cable Clips

- | Galvanized steel
- | 3/4" inner diameter
- | 2 per side, every 5 feet (1500mm) typical
- | Custom arrangements available
- | Factory installed or shipped loose



	TRENCH MODEL							
	68	128	1216	2012	2016	3012	3016	4016
Dividers max qty per trench	1	2	2	5	5	7	7	10
Height	6"	6"	12"	9"	12"	9"	12"	12"