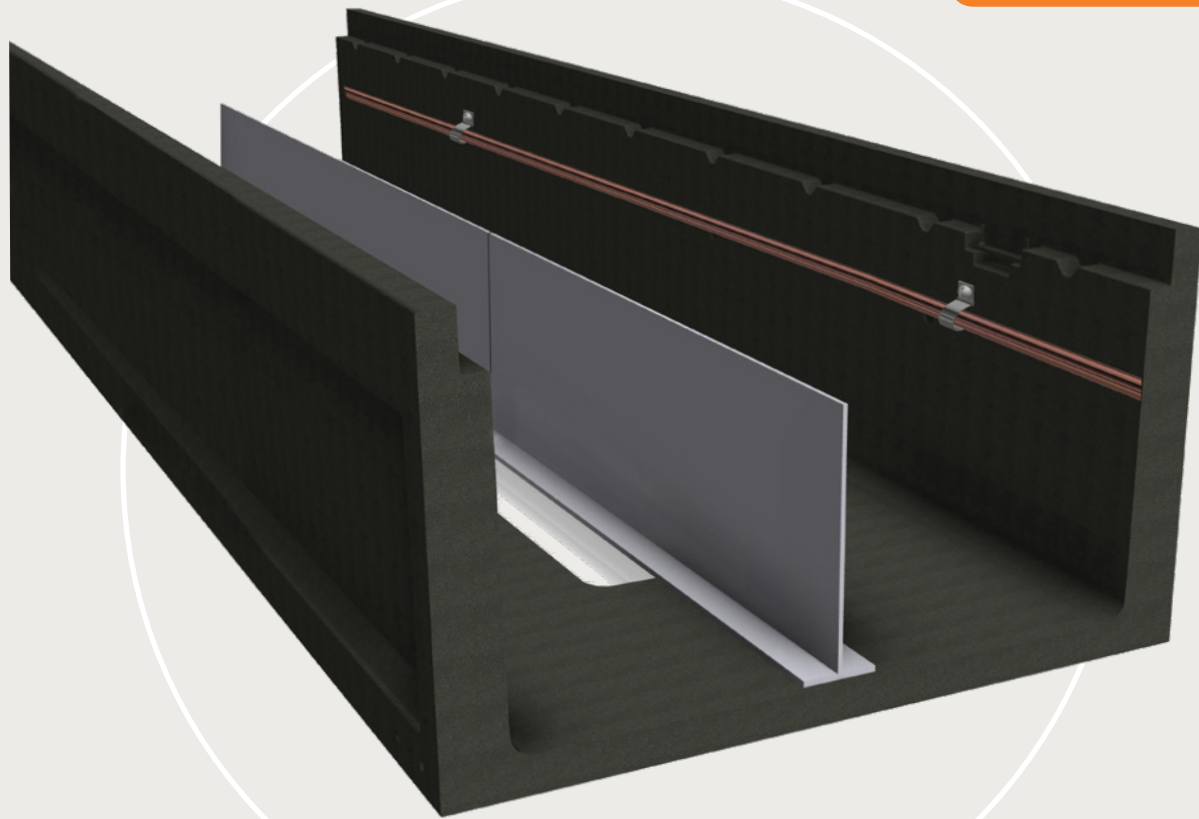


Plastibeton®

Dividers and Cable Clips

Installed Optional

Customize as Needed



Accessories for Cable Management

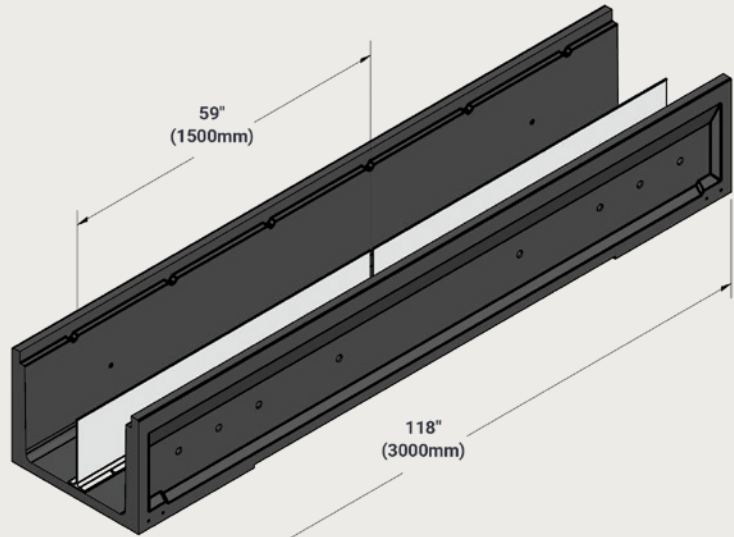
 **Oldcastle Infrastructure™**
A CRH COMPANY

The Plastibeton® channel system has the accessories you need most for underground cable management. Easily separate different types of cable in a single trench with dividers. Free up more space on your trench floors by securing cable to the sidewalls with cable clips.

Accessories for cable management.

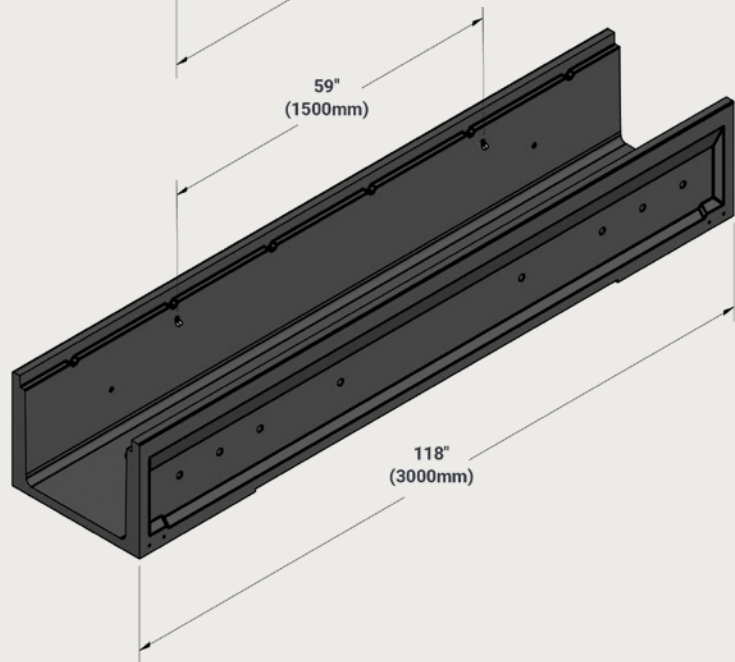
Dividers

- Lightweight
- SMC construction
- 59 inch standard lengths (2 per trench)
- Factory anchored or shipped loose
- Typically used to divide a trench into half or thirds



Cable Clips

- Galvanized steel
- 3/4" inner diameter
- 2 per side, every 5 feet (1500mm) typical
- Custom arrangements available
- Factory installed or shipped loose



	Trench Model							
	68	128	1216	2012	2016	3012	3016	4016
Dividers max qty per trench	1	2	2	5	5	7	7	10
Height	6"	6"	12"	9"	12"	9"	12"	12"

4-A-078 Revision 3/2023

Trusted partnerships.
Full scale solutions.



www.oldcastleinfrastructure.com | (888) 965-3227