



MATERIAL & STYLE

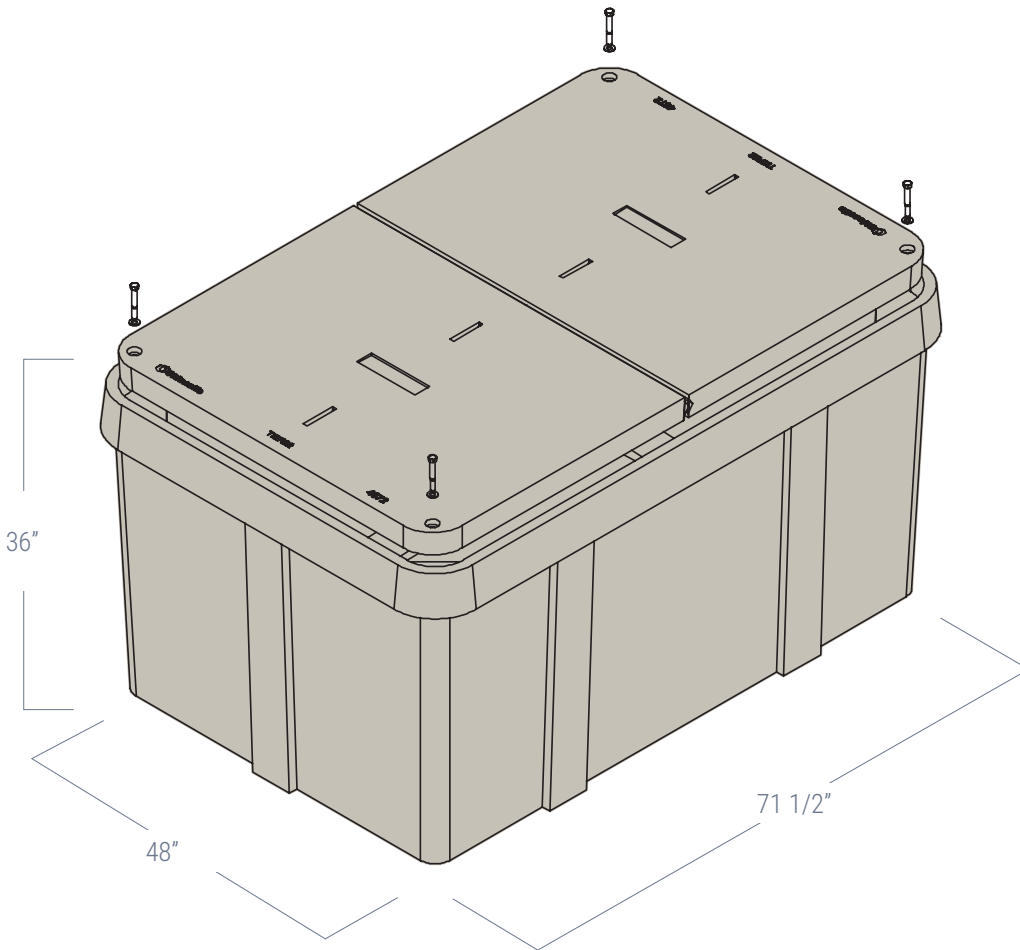
Polymer Concrete
Straight Wall

4872-36

ANSI/SCTE-77, Tier 22
734 lbs

OPTIONS

Mouseholes/Knockouts
Solid Bottom



Cover comes standard with permanent markings for manufacturer, load rating, model size and manufacturing location. Based upon lid and body combination, this unit can be Tier 15 or Tier 22. T22 rating when paired with T22 Cover.

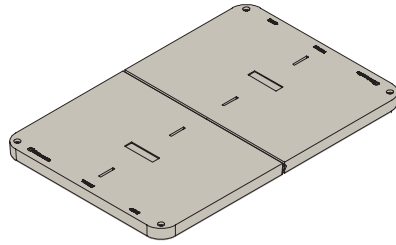
Revision 04/19/21



HEAVY DUTY
ANSI/SCTE TIER 22

For use in non-vehicular traffic situations only. Weights and dimensions may vary slightly. Actual load rating is determined by the box and cover combination.

© 2021 Oldcastle Infrastructure, Inc



OPTIONS

Available Covers: • Polymer Concrete, Flush Split Cover



Detail: Lifting Strap



Fasteners:

- Hex Head Bolt
- Penta Head Bolt
- Penta Head Coil Thread Bolt
- Vandal Resistant Bolt
- Captive Bolt Retainer



Add On Options:

- Logos and Special Markings
- Marking Plate
- EMS Marker
- Rack Mount / Cable Rack
- Cable Arms
- Unistrut
- Pulling Eye
- Ground Buss
- Dividers
- Lid Gaskets*

RAW MATERIAL SPECIFICATION

| BODY : Material Property | Test Method | Typical Value ¹ |
|--------------------------|-------------|----------------------------|
| COMPRESSIVE STRENGTH | ASTM C 579 | > 12,500 PSI |
| FLEXURAL STRENGTH | ASTM D 790 | > 3,000 PSI |
| MODULAS OF RUPTURE | ASTM C 99 | ≥ 3,000 PSI |
| WATER ABSORPTION | ASTM C 97 | ≤ 0.25% |
| IMPACT RESISTANCE | ASTM D 2444 | > 70 FT-LB |
| FRICTION COEFFICIENT | ASTM C 1028 | > 0.5 |
| CHEMICAL RESISTANCE | ASTM D 543 | RESISTANT, > 75% RETENTION |
| PHYSICAL PROPERTIES | | |

¹ The values listed for physical property measurements are nominal values only. Certain physical property measurements are subject to variations consistent with the test methods and are within a generally accepted range for such values.

WARNING: Cancer - www.P65Warnings.ca.gov

* Lid Gaskets inhibit water flow into the box, they do not make enclosure fully waterproof.

Product modifications, including but not limited to, cutting for conduit access, or "mouseholes" may alter ratings and product performance listed within this document unless stated otherwise.

All information contained on this sheet is current at the time of publication.

Oldcastle reserves the right to discontinue or update product information without notice.

Revision 04/19/21

© 2021 Oldcastle Infrastructure, Inc