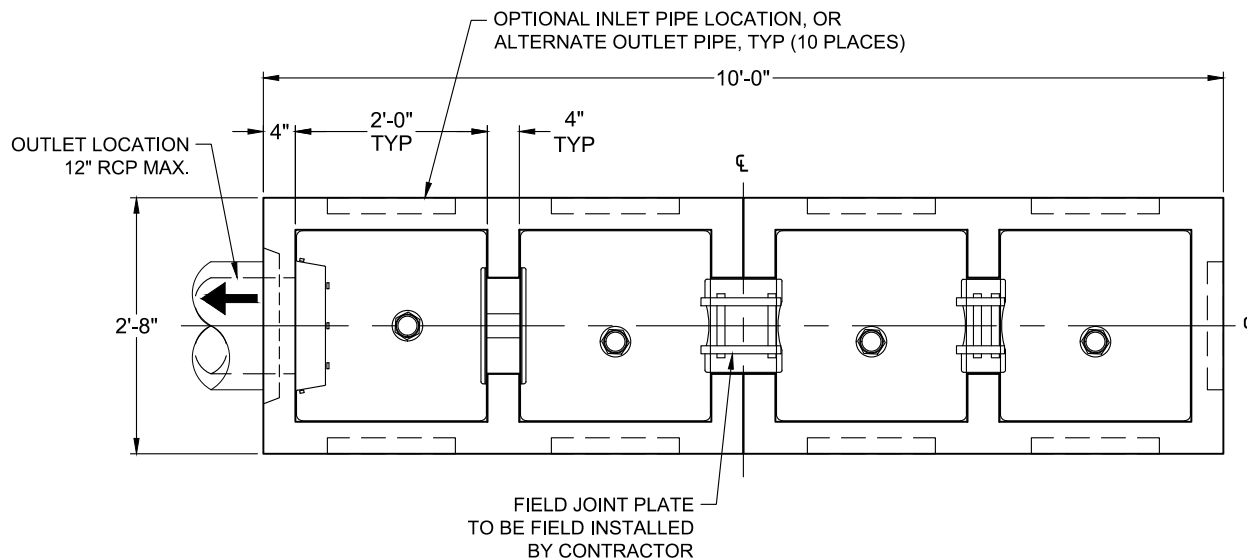
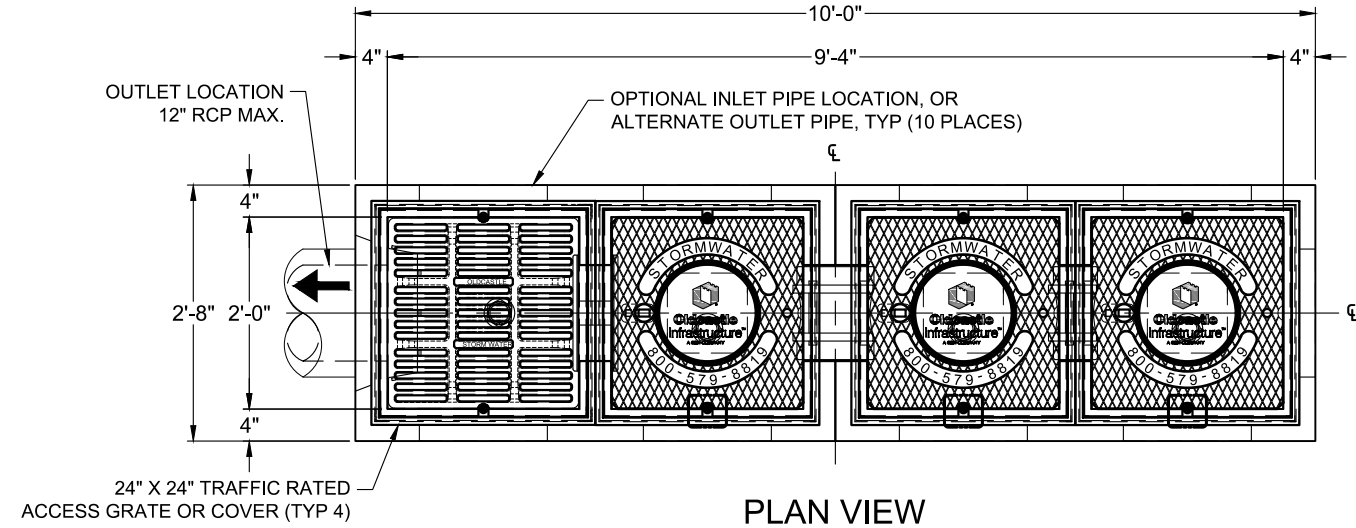


SITE SPECIFIC DATA				
Structure ID	ID			
Treatment Flow Rate (cfs)	-			
Peak Flow Rate (cfs)	1.3 cfs			
Rim Elevation	X.XX'			
Pipe Data	Pipe Location	Pipe Size	Pipe Type	Invert Elevation
Outlet	XXX	XX"	XXX	X.XX'
Inlet	XXX	XX"	XXX	X.XX'
Notes:	-			
PERFORMANCE SPECIFICATIONS				
Treatment Flow Capacities:*				
NJDEP 80% Removal, 75 micron	0.268 cfs			
WA Ecology GULD - Basic & Phosphorus	0.152 cfs			
*Contact Oldcastle for alternative treatment flow capacities.				

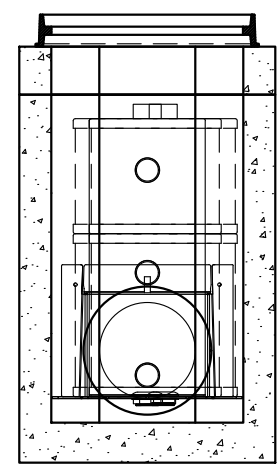


**PLAN VIEW**

COVER NOT SHOWN FOR CLARITY

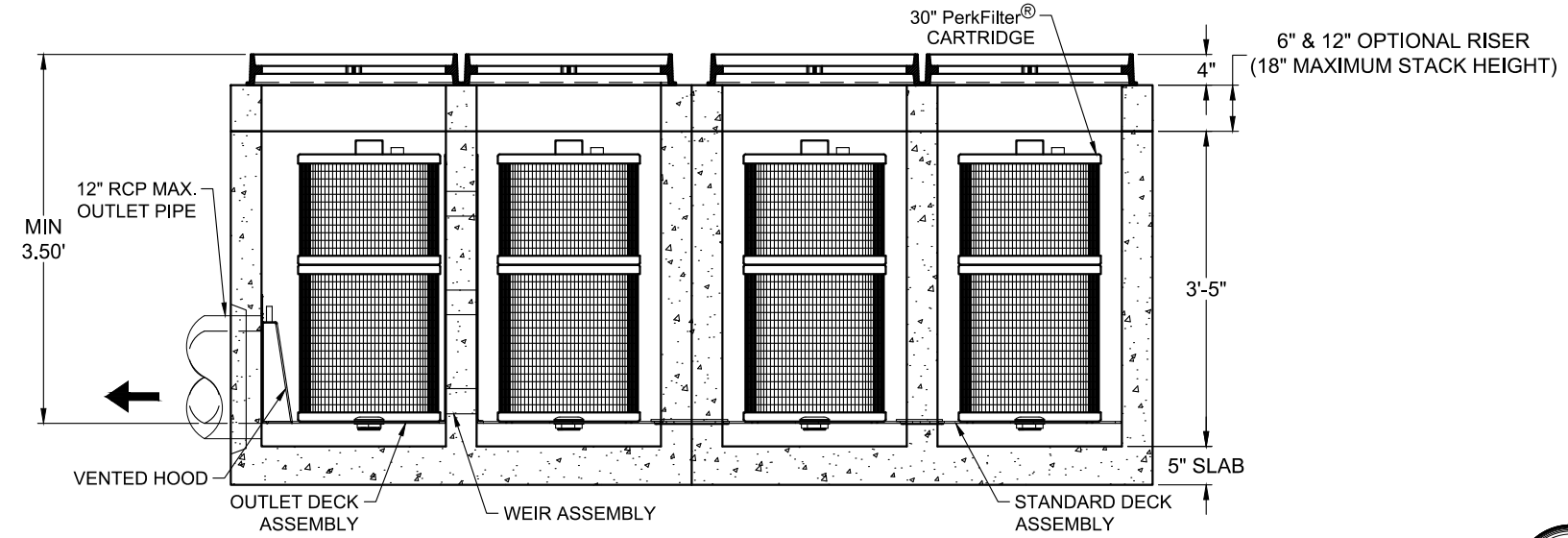


**PLAN VIEW**



**LEFT END VIEW**

(OPTIONAL WITH 6" OR 12" RISER)



**ELEVATION VIEW**

(OPTIONAL WITH 6" OR 12" RISER)

**NOTES:**

- DESIGN LOADINGS:
  - AASHTO HS-20-44 W/ IMPACT.
  - STANDARD DESIGN FILL: MAX TOP OF STRUCTURE.
  - ASSUMED WATER TABLE: BELOW STRUCTURE.
  - DRY LATERAL EARTH PRESSURE (EFP) = 45 PCF.
  - LATERAL LIVE LOAD SURCHARGE = 80 PSF (APPLIED TO 8' BELOW GRADE).
  - NO LATERAL SURCHARGE FROM ADJACENT BUILDINGS, WALLS, PIERS, OR FOUNDATIONS.
- CONCRETE 28 DAY COMPRESSIVE STRENGTH SHALL BE 5,000 PSI MINIMUM.
- STEEL REINFORCEMENT: REBAR, ASTM A-615 OR A-706, GRADE 60.
- CEMENT: ASTM C-150 SPECIFICATION.
- REQUIRED ALLOWABLE SOIL BEARING PRESSURE = 2,500 PSF. CONTRACTOR RESPONSIBLE TO ENSURE ADEQUATE BEARING SURFACE IS PROVIDED (I.E. COMPACTED AND LEVEL PER PROJECT SPECIFICATIONS).
- REFERENCE STANDARD:
  - ASTM C 890
  - ASTM C 913
  - ACI 318-14
- OUTLET HOLES WILL BE FACTORY CORED/CAST PER PLANS/CUSTOMER REQUIREMENTS. OUTLET LOCATIONS CAN BE CHANGED.
- MAXIMUM PICK WEIGHT (COMBINED WEIGHT OF BASE, CARTRIDGE & ACCESS COVER) = TBD.
- FOR SITE SPECIFIC DRAWINGS WITH DETAILED STRUCTURE DIMENSIONS AND WEIGHTS, PLEASE CONTACT OLDCASTLE INFRASTRUCTURE.

**- PRELIMINARY -  
NOT FOR CONSTRUCTION**



Ph: 800.579.8819 | www.oldcastleinfrastructure.com/stormwater  
THIS DOCUMENT IS THE PROPERTY OF OLDCASTLE INFRASTRUCTURE, INC. IT IS CONFIDENTIAL, SUBMITTED FOR REFERENCE PURPOSES ONLY AND SHALL NOT BE USED IN ANY WAY INJURIOUS TO THE INTERESTS OF, OR WITHOUT THE WRITTEN PERMISSION OF OLDCASTLE INFRASTRUCTURE, INC. COPYRIGHT © 2022 OLDCASTLE INFRASTRUCTURE, INC. ALL RIGHTS RESERVED.

PerkFilter® Concrete Catch Basin 30" Cartridge					
CUSTOMER					
PROJECT NAME					
DATE	MFG	DRAWN	ENGINEER	CHECKED	SALES ORDER
--/--/22	-	-	-	-	-
SHEET NAME				REVISION	SHEET
Specifier Drawing				-	1 OF 1
PFCB-29-1x30				REV DATE	

