

Test Point

For Oldcastle Polymer Covers

No Cover Removal

Clip-on Access

Easy Verification



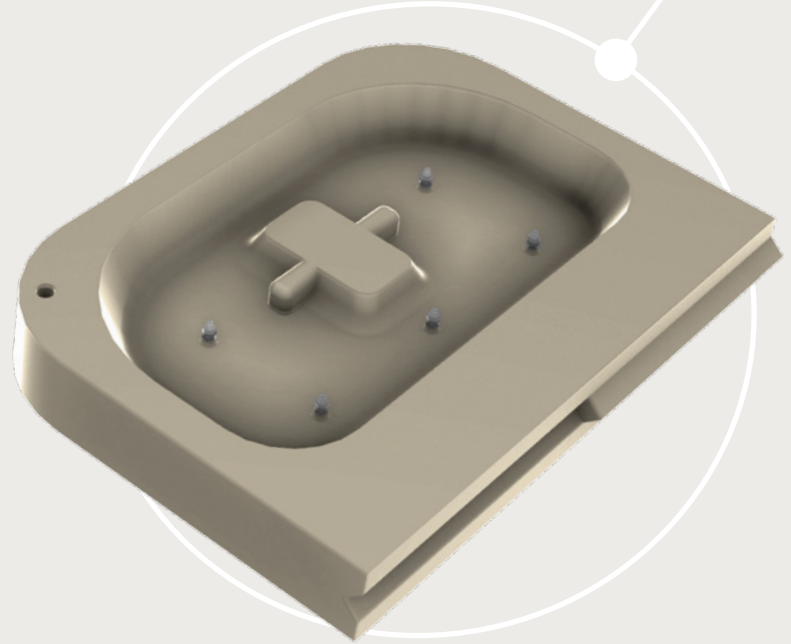
Effortless
Cable Locates

Easily trace buried cable and conduit with test point covers. After installation there is no need to open the box to do a locate—simply attach locator clips to the correct test point and trace! Designed with input from cable locating experts, test point covers save valuable time and can minimize liability related to opening and closing the enclosure.

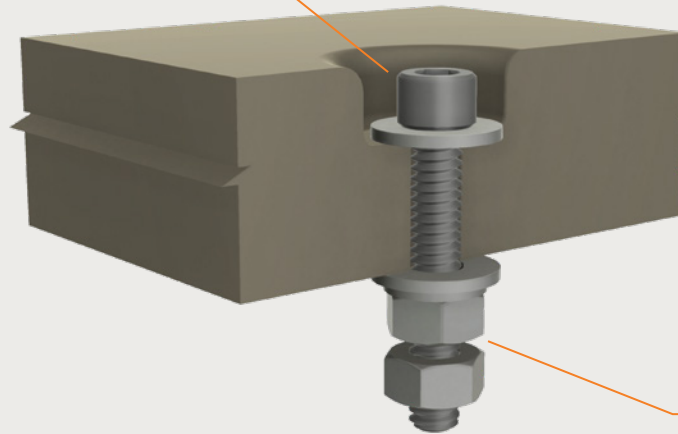
Quick and easy locates without cover removal.

Features & Benefits

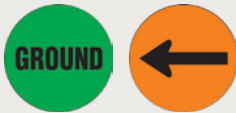
- 5 locating points ensure each trace wire is isolated to a specific locate run.
- Clip on to one of the test points and locate without opening or removing the cover.
- Durable decals adhere to the recessed areas on the cover to mark ground and cable directions.
- Available in a variety of sizes and colors.
- Meets ANSI/SCTE 77 test requirements.



Locating clamps are placed on the top test points.



Trace wires are attached to the bottom test points.



One ground decal and five directional decals are included.

4-A-080 Revision 3/2023

Trusted partnerships.
Full scale solutions.



www.oldcastleinfrastructure.com | (888) 965-3227