

**Material & Style**

- Composite
- Flush, Split Cover
- T-Cover, Split Cover
- Non-skid texture

**Hardware**

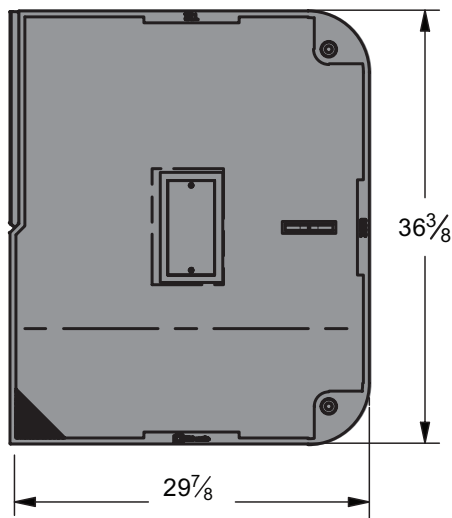
- Bolt Down

**Performance & Weight**

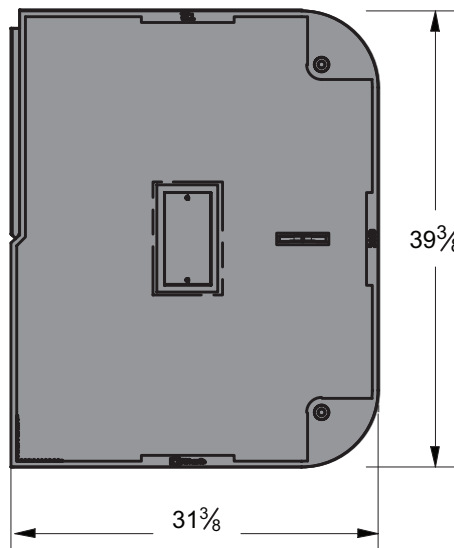
- ANSI/SCTE-77, Tier 22
- Flush Cover: 68 lbs / Half
- T-Cover: 82 lbs / Half

**Options**

- Hex Head Bolt
- Penta Head Bolt
- Logos and Special Markings
- Marking Plate
- EMS Marker



Flush



T-Cover

Cover comes standard with permanent markings for manufacturer, load rating, model size and manufacturing location.

**WARNING:** Cancer - [www.P65Warnings.ca.gov](http://www.P65Warnings.ca.gov)

All information contained on this sheet is current at the time of publication. Oldcastle reserves the right to discontinue or update product information without notice.

Revision 04/2023



**Heavy Duty**  
ANSI/SCTE TIER 22

For use in non-vehicular traffic situations only. Weights and dimensions may vary slightly. Actual load rating is determined by the box and cover combination.

© 2023 Oldcastle Infrastructure, Inc.