

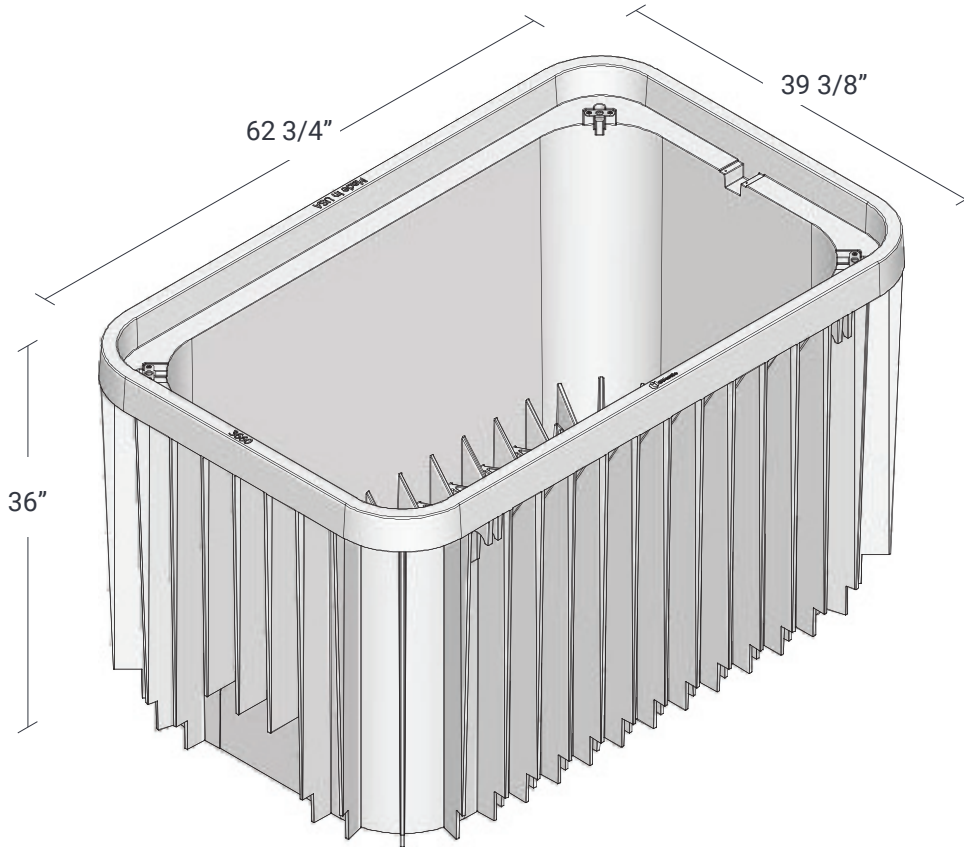
### Material & Style

Composite  
Straight Wall

### 3660-36

ANSI/SCTE-77, Tier 15  
208 lbs

ANSI/SCTE-77, Tier 22  
208 lbs



Medium Duty  
ANSI/SCTE TIER 15

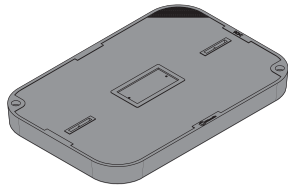


Heavy Duty  
ANSI/SCTE TIER 22

Cover comes standard with permanent markings for manufacturer, load rating, model size and manufacturing location. Based upon lid and body combination, this unit can be Tier 15 or Tier 22. T22 rating when paired with T22 polymer concrete lid.

Revision 04/2023

For use in non-vehicular traffic situations only. Weights and dimensions may vary slightly. Actual load rating is determined by the box and cover combination.


**Options**

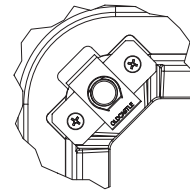
Available Covers:

- Duralite®, Flush Split Cover
- Duralite®, T-Cover Split Cover
- Polymer Concrete, Flush Solid



Fasteners:

- Hex Head Coil Thread Bolt
- Penta Head Coil Thread Bolt



- Detail: Bolt Down



Add On Options:

- Logos and Special Markings
- Marking Plate
- EMS Marker

**Raw Material Specification**

BODY : Material Property	Test Method	Typical Value <sup>1</sup>
Density	ASTM D1505	0.960 to 0.980, g/cm <sup>3</sup>
Tensile Strength, at break	ASTM D638	5,500 to 7,700 psi
Flexural Modulus	ASTM D790	400,000 to 500,000 psi
Impact Resistance	ASTM D5420	60.0 in-lb

<sup>1</sup> The values listed for physical property measurements are nominal values only. Certain physical property measurements are subject to variations consistent with the test methods and are within a generally accepted range for such values.

**! WARNING:** Cancer - [www.P65Warnings.ca.gov](http://www.P65Warnings.ca.gov)

Product modifications, including but not limited to, cutting for conduit access, or “mouseholes” may alter ratings and product performance listed within this document unless stated otherwise.

All information contained on this sheet is current at the time of publication. Oldcastle reserves the right to discontinue or update product information without notice.

© 2023 Oldcastle Infrastructure, Inc.