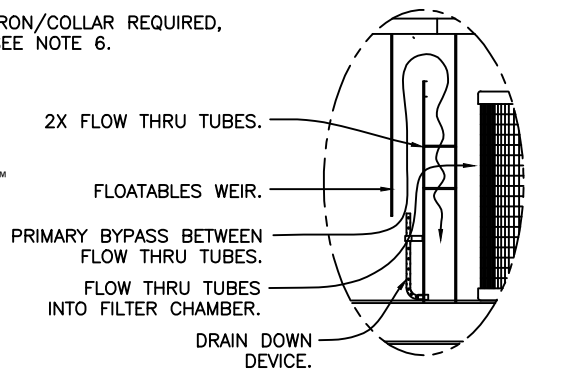
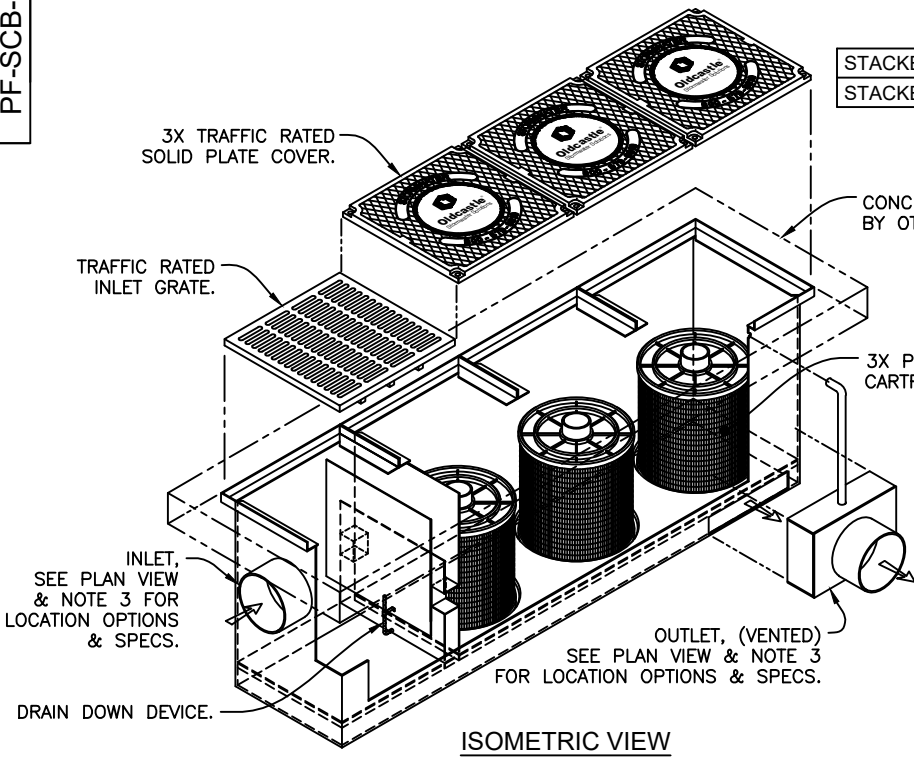
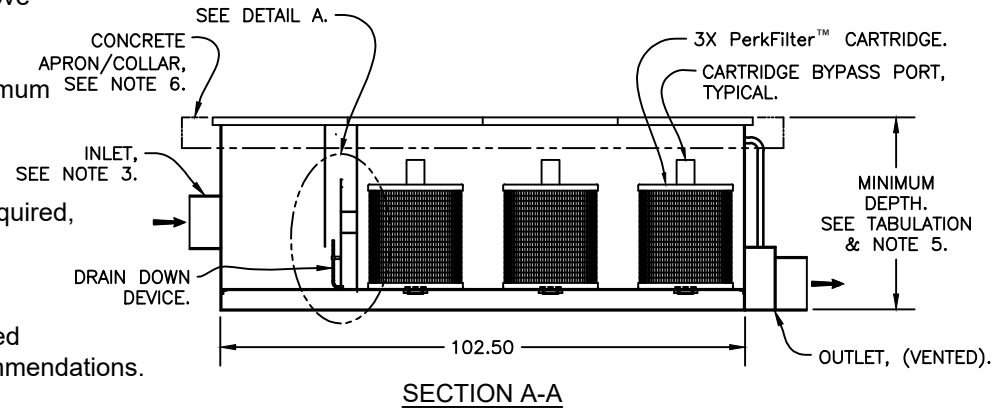
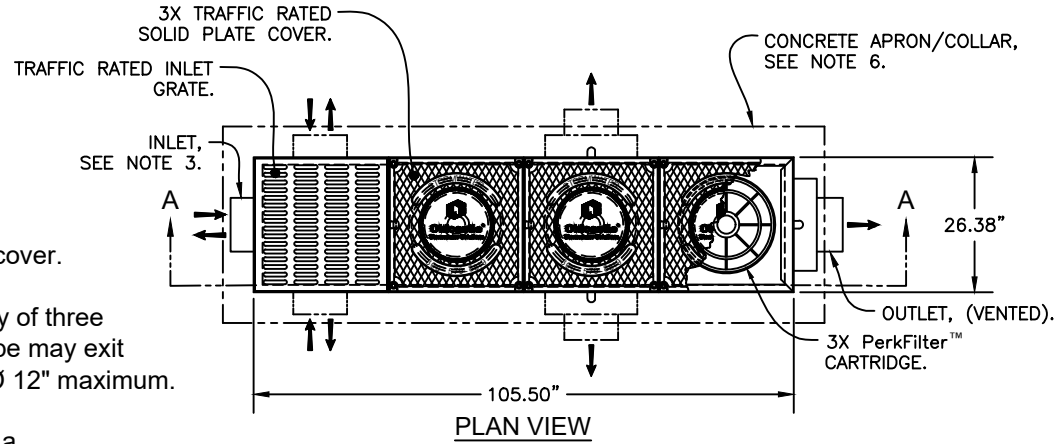


CARTRIDGE SIZE	TREATMENT FLOW RATE GPM / CFS	TOTAL FLOW CAPACITY CFS	MINIMUM DEPTH (FEET)
12.00"	36 / 0.08	1.3	2.00
18.00"	54 / 0.12	1.3	2.50
STACKED 12.00" + 12.00"	72 / 0.16	1.3	3.16
STACKED 18.00" + 12.00"	90 / 0.20	1.3	3.67



Notes:

- All steel utilized in fabrication and shall be 1/4" plate per ASTM A36.
- PerkFilter™ Catch basin shall be supplied with traffic rated (H20) bicycle-proof grates and solid plate cover.
- Inlet pipe(s) may enter device on any of three sides of the inlet chamber. Outlet pipe may exit on any of all four sides. All pipe is Ø 12" maximum.
- Inlet chamber shall be supplied with a DRAIN DOWN device designed to remove standing water between storm events.
- For depths less than the specified minimum contact Oldcastle Infrastructure® for engineering assistance.
- Field poured Concrete Apron / Collar required, by others. Refer to PF-SCB-1000 for recommended configuration.
- PerkFilter™ cartridge shall be maintained in accordance with manufacturer recommendations.



PerkFilter™
Steel Catch Basin
Triple Cartridge
(End Grate Configuration)

