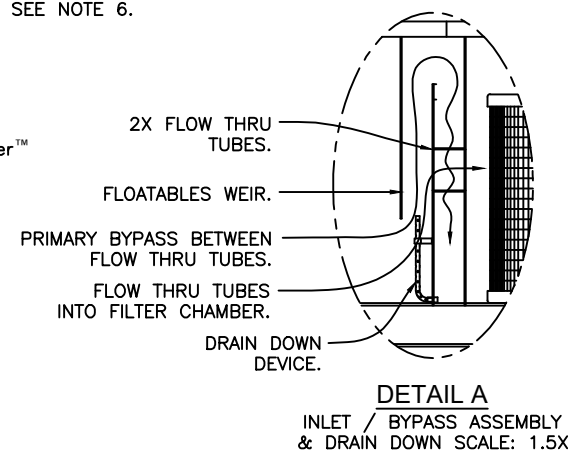
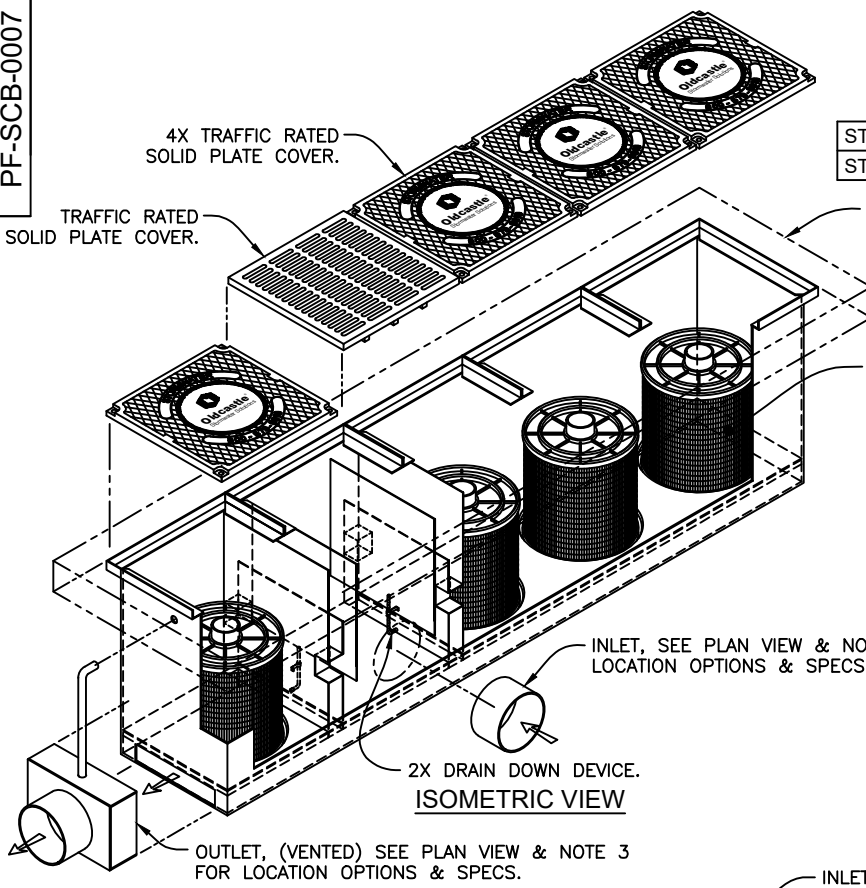
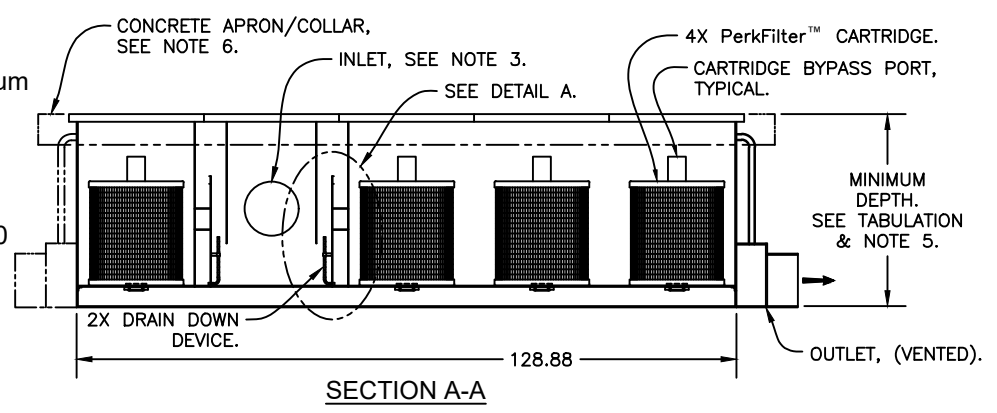
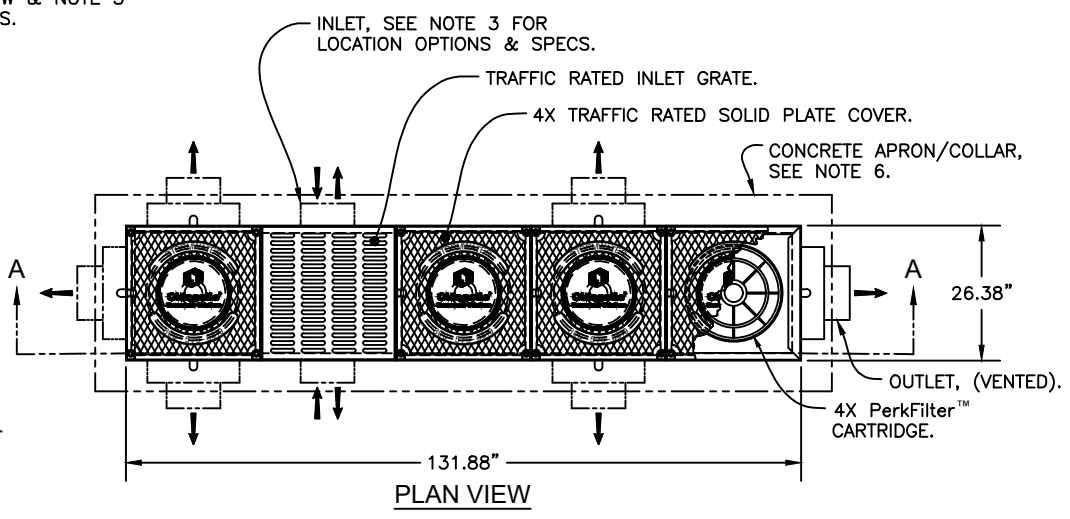


	CARTRIDGE SIZE	TREATMENT FLOW RATE GPM / CFS	TOTAL FLOW CAPACITY CFS	MINIMUM DEPTH (FEET)
	12.00"	48 / 0.11	2.6	2.00
	18.00"	72 / 0.16	2.6	2.50
STACKED	12.00" + 12.00"	96 / 0.21	2.6	3.16
STACKED	18.00" + 12.00"	120 / 0.27	2.6	3.67



- Notes:
1. All steel utilized in fabrication and shall be 1/4" plate per ASTM A36.
 2. PerkoFilter™ Catch basin shall be supplied with traffic rated (H20) bicycle-proof grates and solid plate cover.
 3. Inlet pipe(s) may enter device on any of three sides of the inlet chamber. Outlet pipe may exit on any of all four sides. All pipe is Ø 12" maximum
 4. Inlet chamber shall be supplied with a DRAIN DOWN device designed to remove standing water between storm events.
 5. For depths less than the specified minimum contact Oldcastle Infrastructure® for engineering assistance.
 6. Field poured Concrete Apron / Collar required, by others. Refer to PF-SCB-1000 for recommended configuration.
 5. Perk Filter™ cartridge shall be maintained in accordance with manufacturer recommendations.



PerkoFilter™
Steel Catch Basin
Four Cartridge
(Bilateral Configuration)

