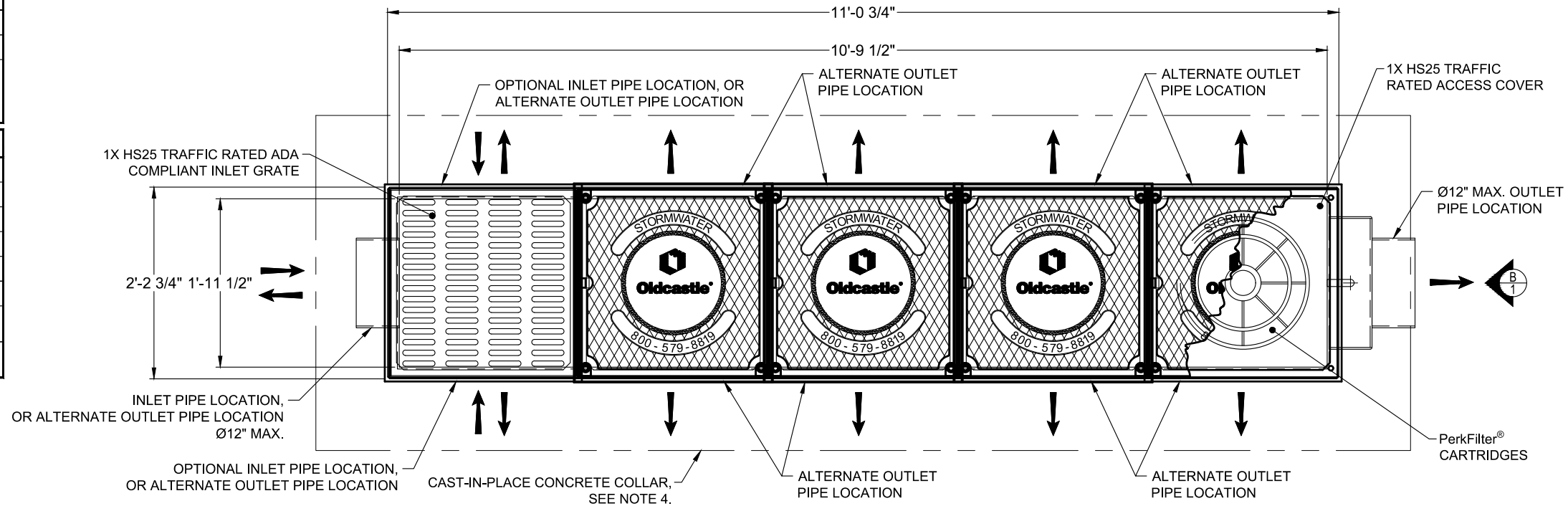


SITE SPECIFIC DATA			
Structure ID	-		
Treatment Flow Rate (gpm/cfs)	-		
Peak Flow Rate (gpm/cfs)	-		
Rim Elevation	-		
Pipe Data	Pipe Location	Pipe Size	Invert Elevation
Inlet 1	-	-	-
Inlet 2	-	-	-
Outlet	-	-	-
Notes:	-		

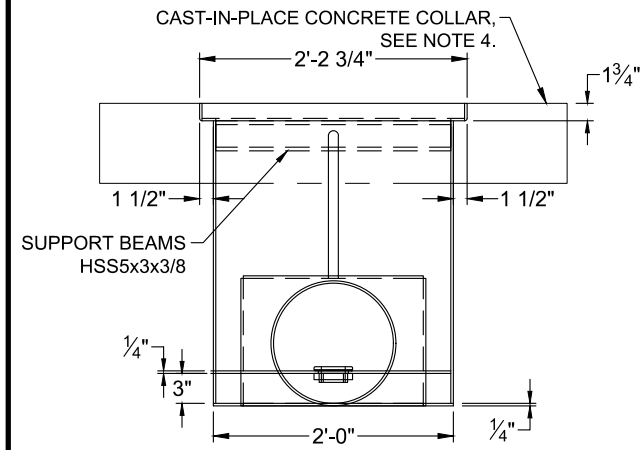
PERFORMANCE SPECIFICATIONS		
Cart. Size	Peak Treatment Capacity <sup>1,2</sup>	Min. Depth
12"	27.2 gpm / 0.061 cfs	1.80'
18"	40.8 gpm / 0.091 cfs	2.34'
24"	54.4 gpm / 1.21 cfs	3.08'
30"	68 gpm / 0.152 cfs	3.67'
Max. Bypass Capacity		1.3 cfs
1. Peak treatment capacities based on WA Ecology GULD - Basic & Phosphorus.		
2. Contact Oldcastle for alternative treatment and peak flow capacities.		



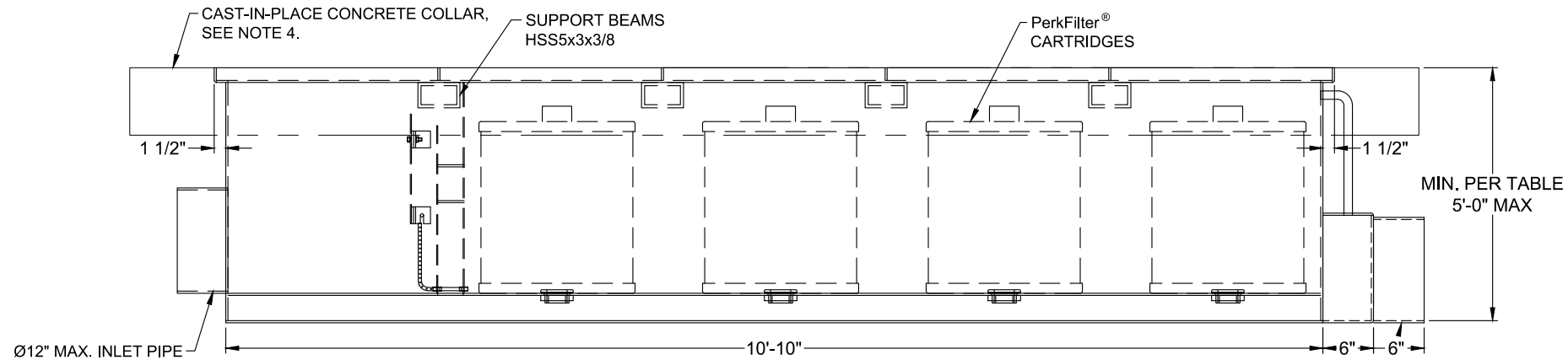
PLAN VIEW

NOTES:

1. ALL STEEL SHALL BE ASTM A36, UNLESS OTHERWISE NOTED.
2. BASIN AND FOOTING 1/4" STEEL PLATE PAINTED BLACK, UNLESS OTHERWISE NOTED.
3. COUPLERS, ANGLES AND EXTERNAL PIPING BY OTHERS.
4. REQUIRED CAST-IN-PLACE CONCRETE COLLAR BY OTHERS.



VIEW B



VIEW A



Ph: 800.579.8819 | www.oldcastleinfrastructure.com/stormwater  
 THIS DOCUMENT IS THE PROPERTY OF OLDCASTLE INFRASTRUCTURE, INC. IT IS CONFIDENTIAL, SUBMITTED FOR REFERENCE PURPOSES ONLY AND SHALL NOT BE USED IN ANY WAY INJURIOUS TO THE INTERESTS OF, OR WITHOUT THE WRITTEN PERMISSION OF OLDCASTLE INFRASTRUCTURE, INC. COPYRIGHT © 2022 OLDCASTLE INFRASTRUCTURE, INC. ALL RIGHTS RESERVED.

PerkFilter® Steel Catch Basin (STANDARD)		
4 Cartridges		
CUSTOMER		
-		
PROJECT NAME		
-		
SHEET NAME	REVISION	SHEET
Specifier Drawing	-	1 OF 1
PF-SCB-WA-006	REV DATE	

