

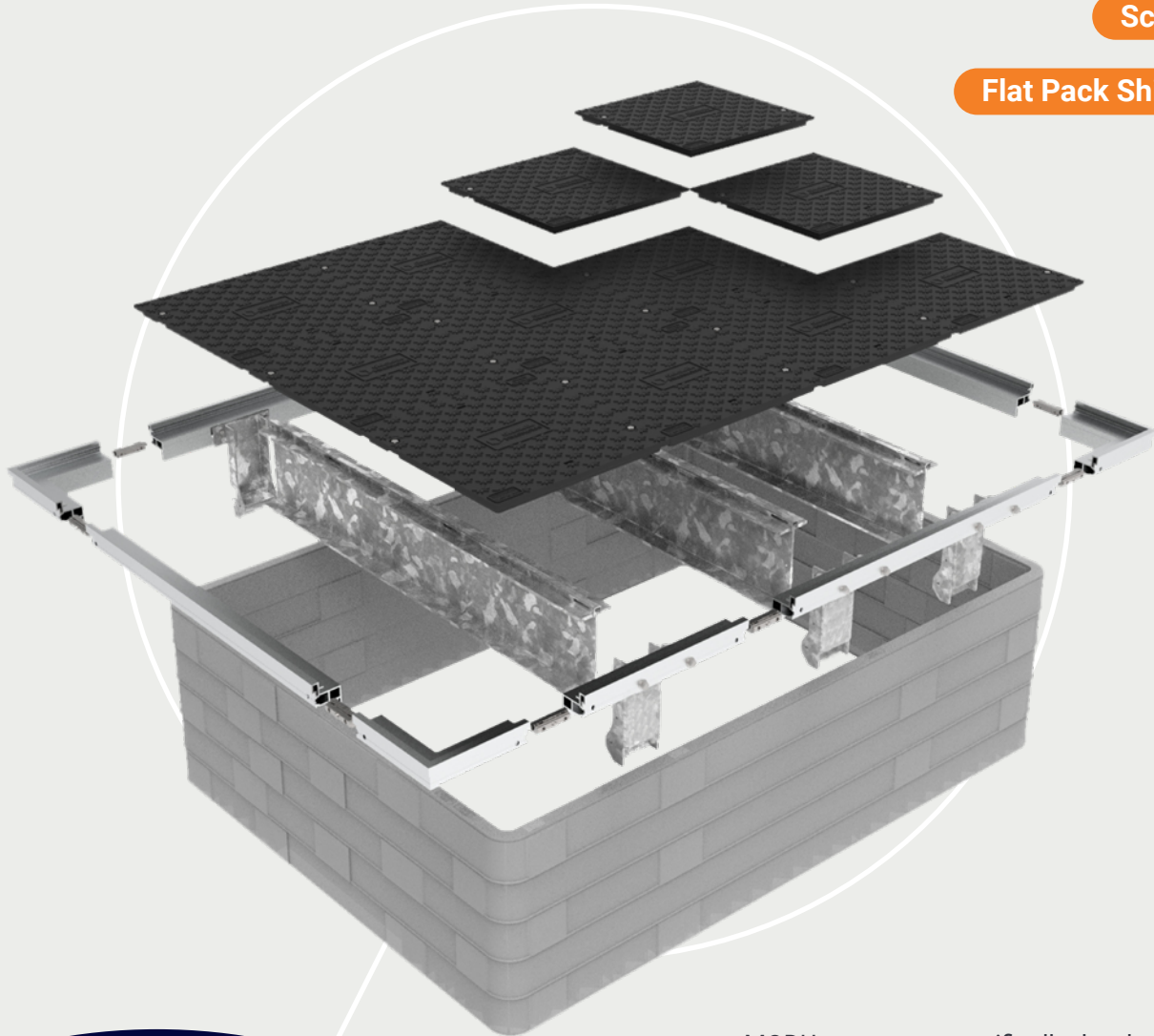
MODUcover

Cover and Frame System for STAKKAbox™ ULTIMA Connect

Modular Build

Scalable

Flat Pack Shipping



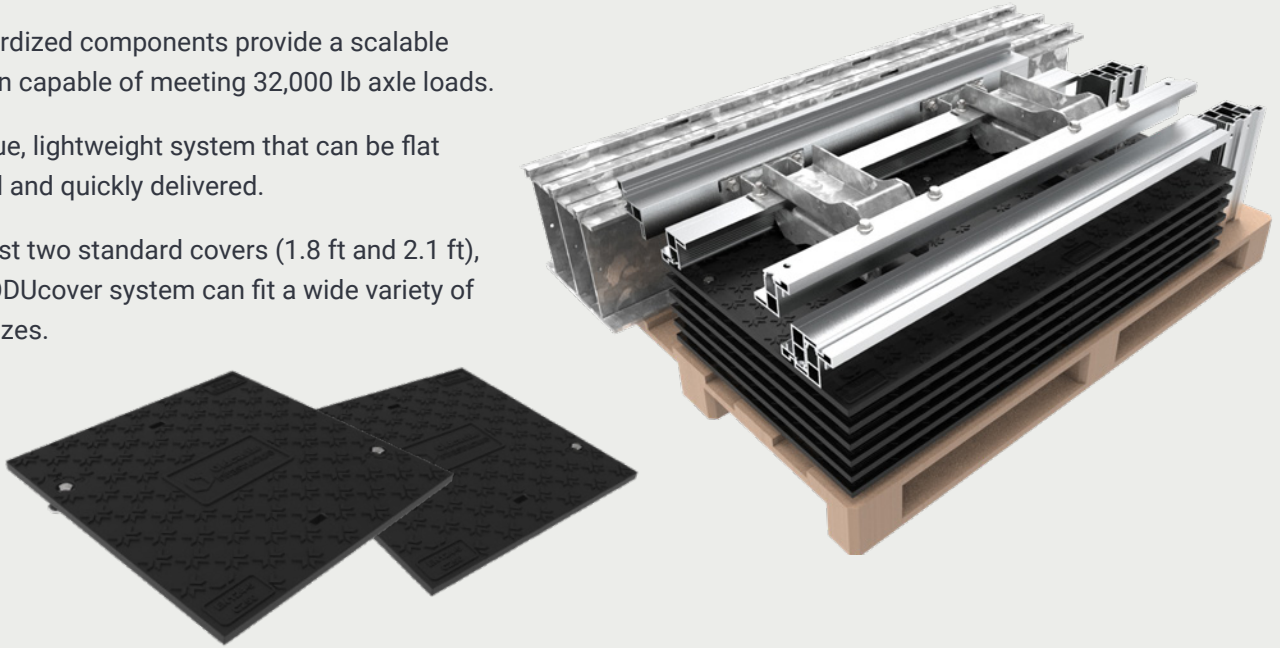
**Covered
and Scalable**

MODUcover, was specifically developed to provide the first-ever modular cover system that seamlessly integrates with our STAKKAbox ULTIMA Connect access chamber. The design has been optimized to deliver an off-the-shelf solution comprised of easy-to-handle components that each weigh less than 50 lbs. MODUcover is adaptable to the vault requirements, making it the ideal solution for rapid-response installations and restricted access sites.

We've got you covered.

The MODUcover system for STAKKAbOX ULTIMA Connect comes with two sizes of composite covers. The composite covers are lightweight for manual lifting and come with anti-slip tread pattern, lifting points, unique locking features and the ability to add a company's unique brand identification.

- Standardized components provide a scalable solution capable of meeting 32,000 lb axle loads.
- A unique, lightweight system that can be flat packed and quickly delivered.
- With just two standard covers (1.8 ft and 2.1 ft), the MODUcover system can fit a wide variety of vault sizes.



	Vault Clear Opening* (ft)								
	1.5'	3'	5'	7'	9'	11'	13'	15'	→
1.5	✓	✓	✓	✓	✓	✓	✓	✓	✓
3'	✓	✓	✓	✓	✓	✓	✓	✓	✓
5'	✓	✓	✓	✓	✓	✓	✓	✓	✓
7'	✓	✓	✓	✓	✓	✓	✓	✓	✓

	Vault Clear Opening* (ft)								
	2'	4'	6'	8'	10'	12'	14'	16'	→
2'	✓	✓	✓	✓	✓	✓	✓	✓	✓
4'	✓	✓	✓	✓	✓	✓	✓	✓	✓
6'	✓	✓	✓	✓	✓	✓	✓	✓	✓
8'	✓	✓	✓	✓	✓	✓	✓	✓	✓

*Dimensions are approximate.

4-A-093 Revision 1/2024

Trusted partnerships.
Full scale solutions.



www.oldcastleinfrastructure.com | (888) 965-3227