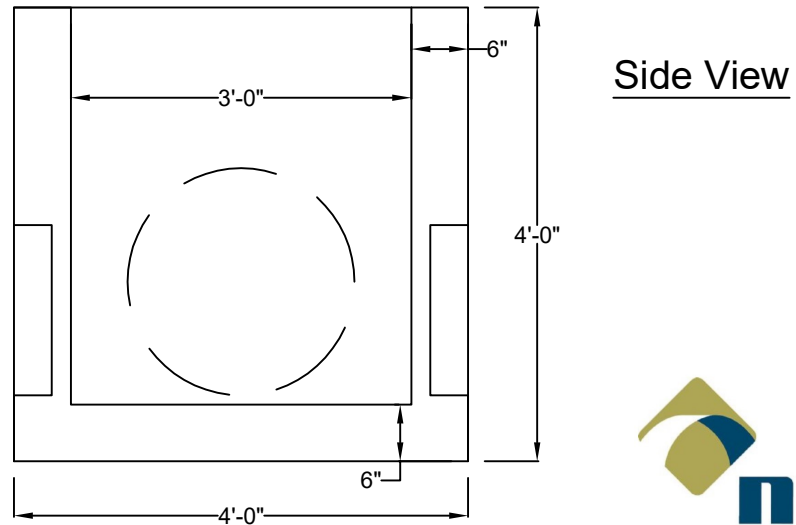
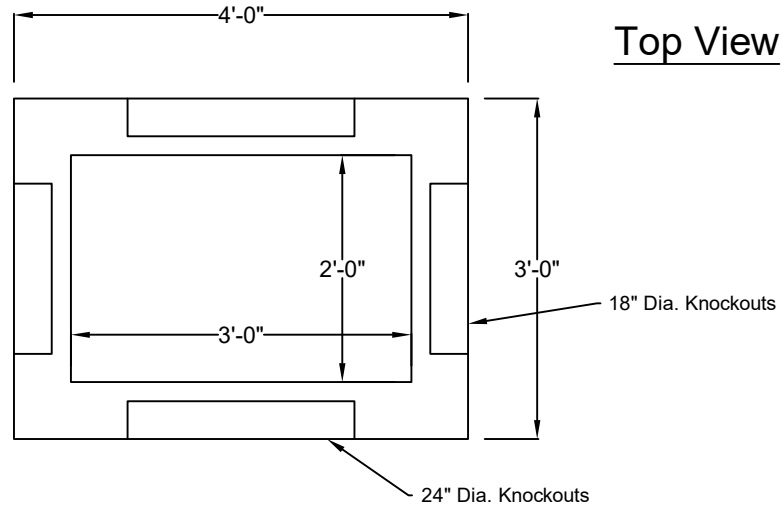
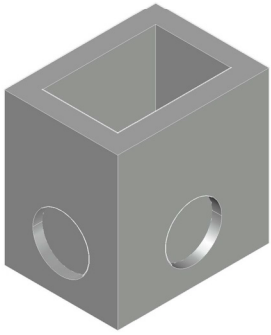


24" x 36" x 48" Inlet



Weight: 3,900 lbs



Standard Features

- 4500 PSI Concrete @ 28 Days
- Conforms to ASTM C-478
- Design for H-20 loading
- Manufactured in NPCA Certified Plant



7800 Adobe Rd.
Kalamazoo, MI 49009
269-342-0539

www.qualityprecastinc.com