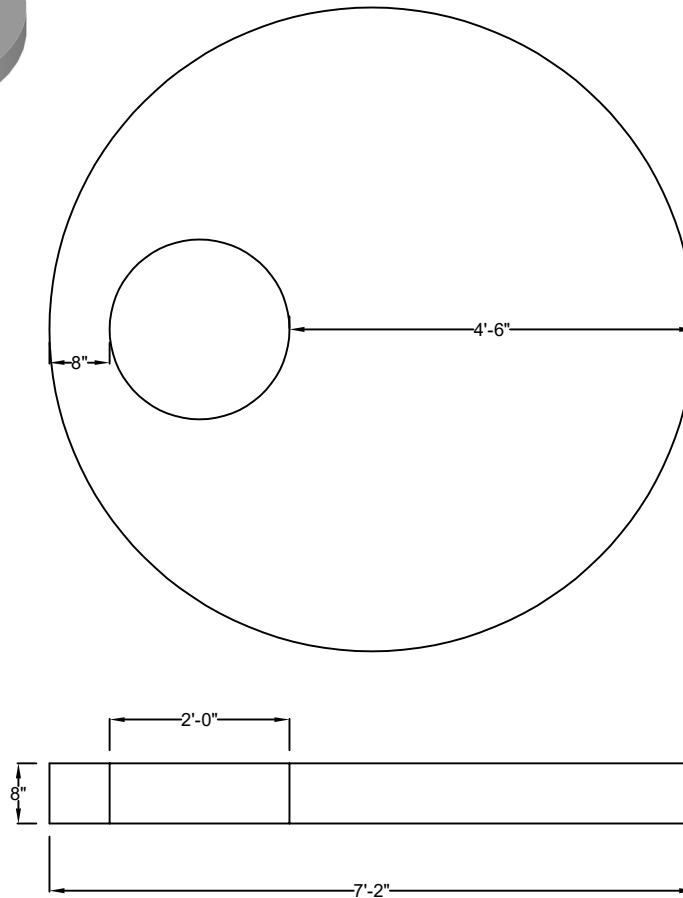
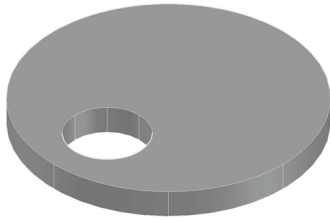


# Precast Concrete 72" Dia. Flat Top with No Lip



Weight: 3,700 lbs



## Standard Features

- 4500 PSI Concrete @ 28 Days
- Conforms to ASTM C-478
- Design for H-20 Traffic Loading
- Manufactured in NPCA Certified Plant



7800 Adobe Rd.  
Kalamazoo, MI 49009  
269-342-0539

[www.qualityprecastinc.com](http://www.qualityprecastinc.com)