

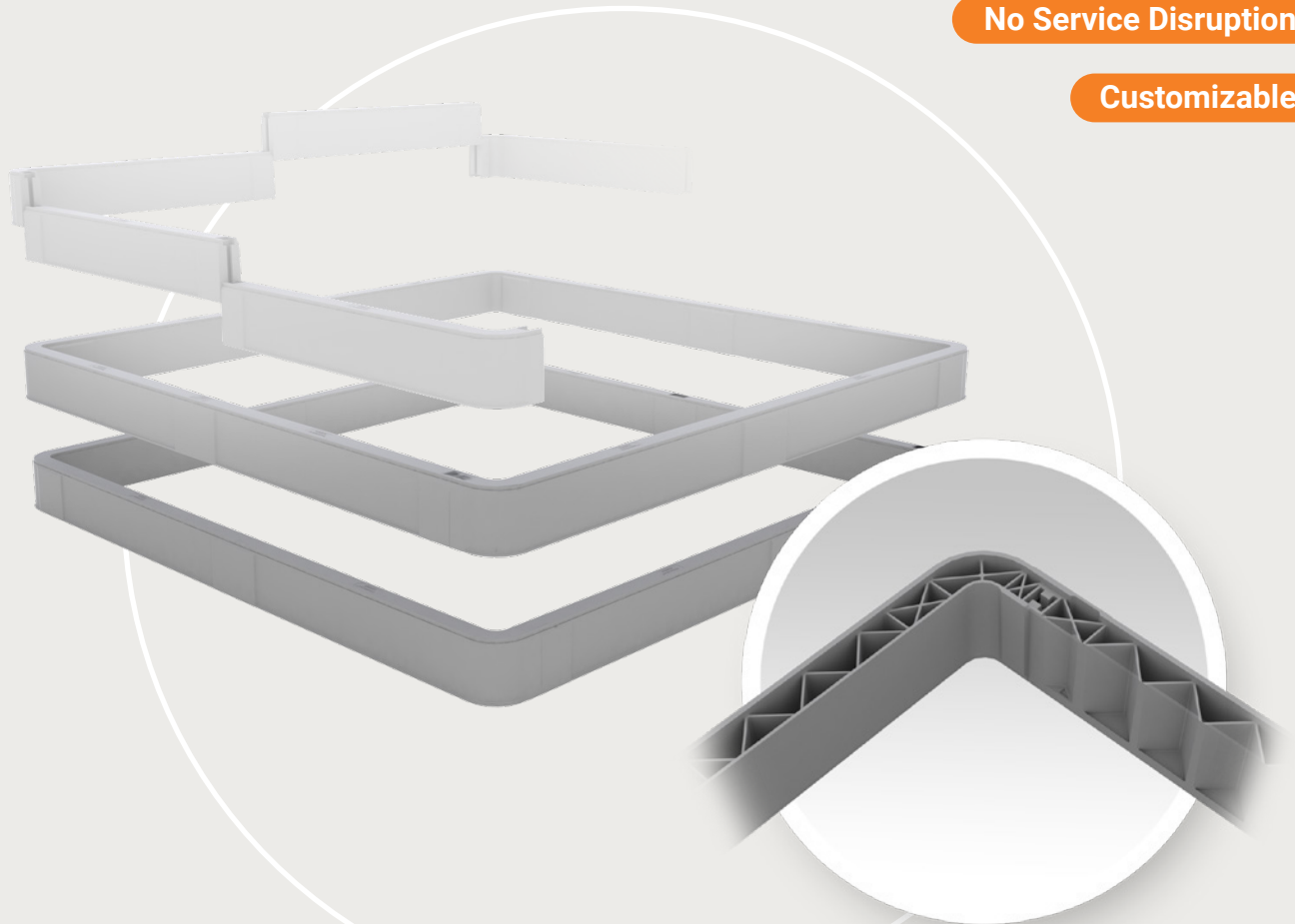
STAKKAbox™

ULTIMA Connect

Easy Installation

No Service Disruption

Customizable

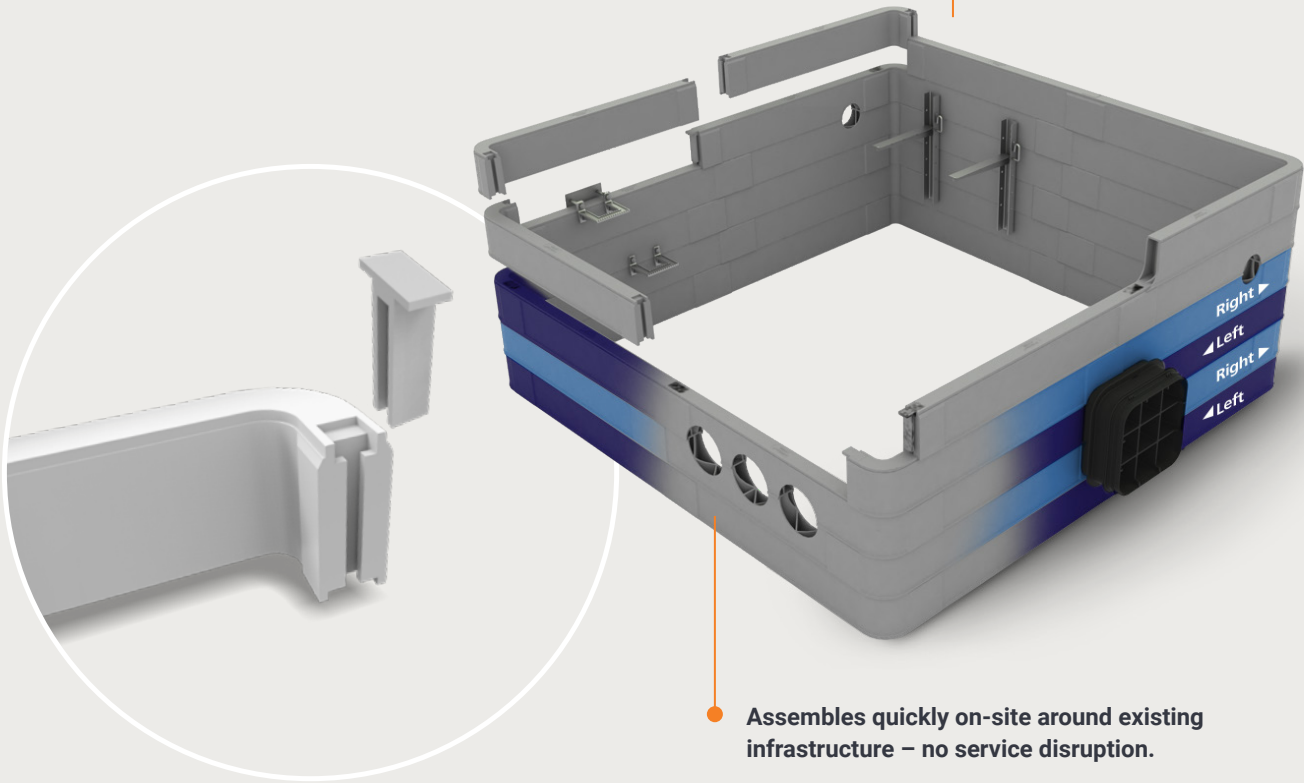


**Modular
and Scalable**

STAKKAbox™ ULTIMA Connect is a modular access chamber system built on-site with lightweight, easily-connectible corner pieces and scalable sidewall lengths that are configurable to your specifications and can be completely installed in just one day. When paired with the frame and cover of your choice, the ULTIMA Connect is a complete solution that is ideal for retrofit and logistically challenging installations.

Retrofit installations without service interruption.

Lightweight corners and sidewalls each weigh less than 55lbs (25kg).



Assembles quickly on-site around existing infrastructure – no service disruption.

Features

- Lightweight components are connected securely with joining pegs to form the completed vault.
- Components range in length from 16" to 75" (400mm to 1900mm) and fit together in unique combinations to create any size vault.
- 6 inch (150mm) deep sections stack and interlock to reach the desired vault depth.
 - Vault widths: 1.5' min / 8' max
 - Vault lengths: 1.5' min / no max
 - Vault depths: 1' min / no max
- Accessories and cover options available.

Benefits

- ULTIMA Connect systems can be installed in one day.
- Components are suitable for manual lifting and are easily modified in the field to retrofit existing infrastructure.
- Composite material provides strength, chemical resistance, and a long-lasting installed life.
- Offset joints and horizontal/vertical ribs improve sidewall strength resulting in unsupported 60 ton vertical load and side loads comparable to concrete.
- Customize your components, accessories, and covers for a complete project solution.

4-A-015 Revision 3/2023

Trusted partnerships.
Full scale solutions.



www.oldcastleinfrastructure.com | (888) 965-3227