

COOK CONCRETE PRODUCTS, INC.

—Precast—

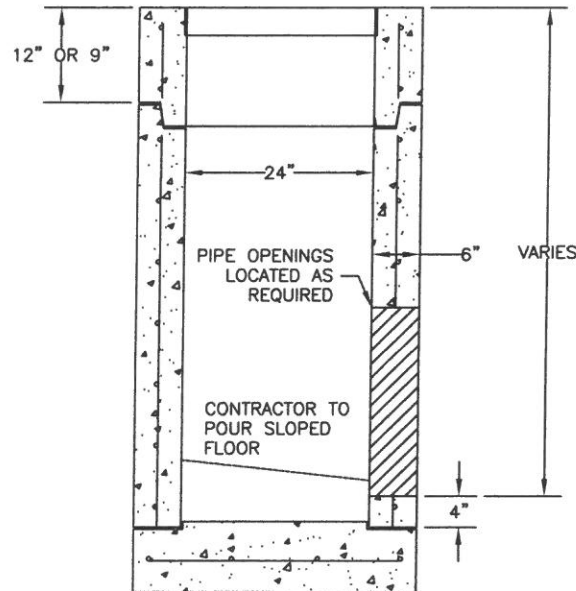
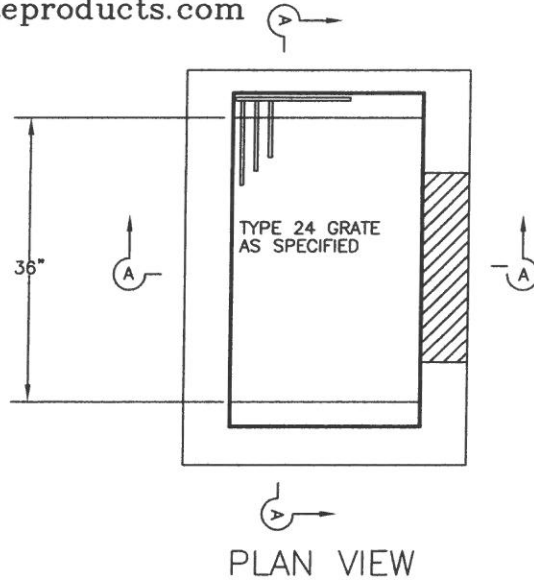


MEMBER OF
NPCA
Precast ...The Concrete

MANHOLE PIPE • DRAINAGE INLETS • STORM WATER/OIL INTERCEPTORS • UTILITY VAULTS & BOXES • CUSTOM PRECAST

(530) 243-2562
FAX (530) 243-6881
www.cookconcreteproducts.com
e-mail: Info@cookconcreteproducts.com

5461 EASTSIDE ROAD
P.O. BOX 720280
REDDING, CA 96099



- NOTES:
1. UNITS ARE CUSTOM MADE FOR EACH JOB.
 2. OPENINGS SHALL BE SIZED FOR PIPE BEING USED.
 3. REINFORCEMENT PER CAL TRANS D73B, D73F & D73G

NOT TO SCALE

CALTRANS TYPE G1 INLET