

COOK CONCRETE PRODUCTS, INC.

—Precast—



MEMBER OF

NPCA

Precast ...The Concrete

MANHOLE PIPE • DRAINAGE INLETS • STORM WATER/OIL INTERCEPTORS • UTILITY VAULTS & BOXES • CUSTOM PRECAST

(530) 243-2562

FAX (530) 243-6881

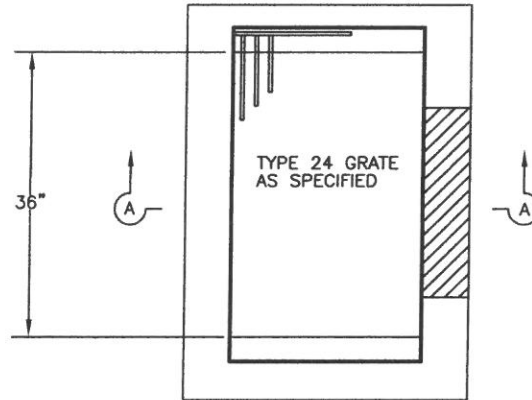
www.cookconcreteproducts.com

e-mail: Info@cookconcreteproducts.com

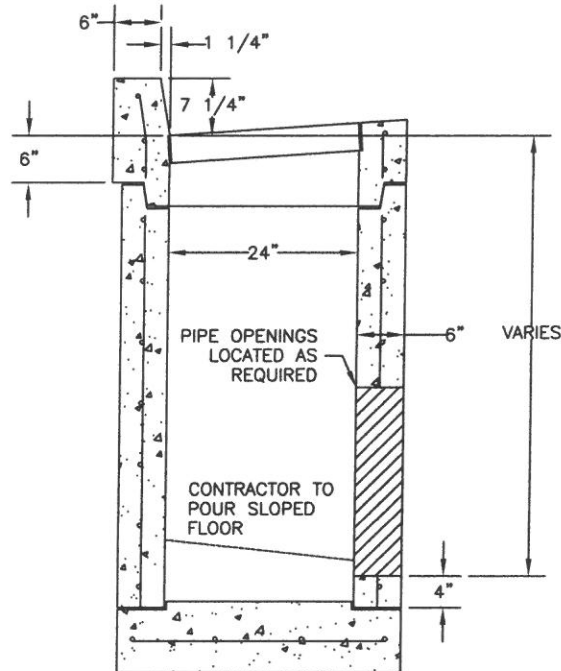
5461 EASTSIDE ROAD

P.O. BOX 720280

REDDING, CA 96099



PLAN VIEW



SECTION A-A

NOTES:

1. UNITS ARE CUSTOM MADE FOR EACH JOB.
2. OPENINGS SHALL BE SIZED FOR PIPE BEING USED.
3. REINFORCEMENT PER CAL TRANS D73B, D73F & D73G

NOT TO SCALE

CALTRANS TYPE G3 INLET