

COOK CONCRETE PRODUCTS, INC.

—Precast—



MEMBER

MANHOLE PIPE DRAINAGE INLETS STORM WATER / OIL SERARATORS UTILITY VAULTS & BOXES CUSTOM PRECAST

(530) 243-2562

FAX (530) 243-6881

www.cookconcreteproducts.com

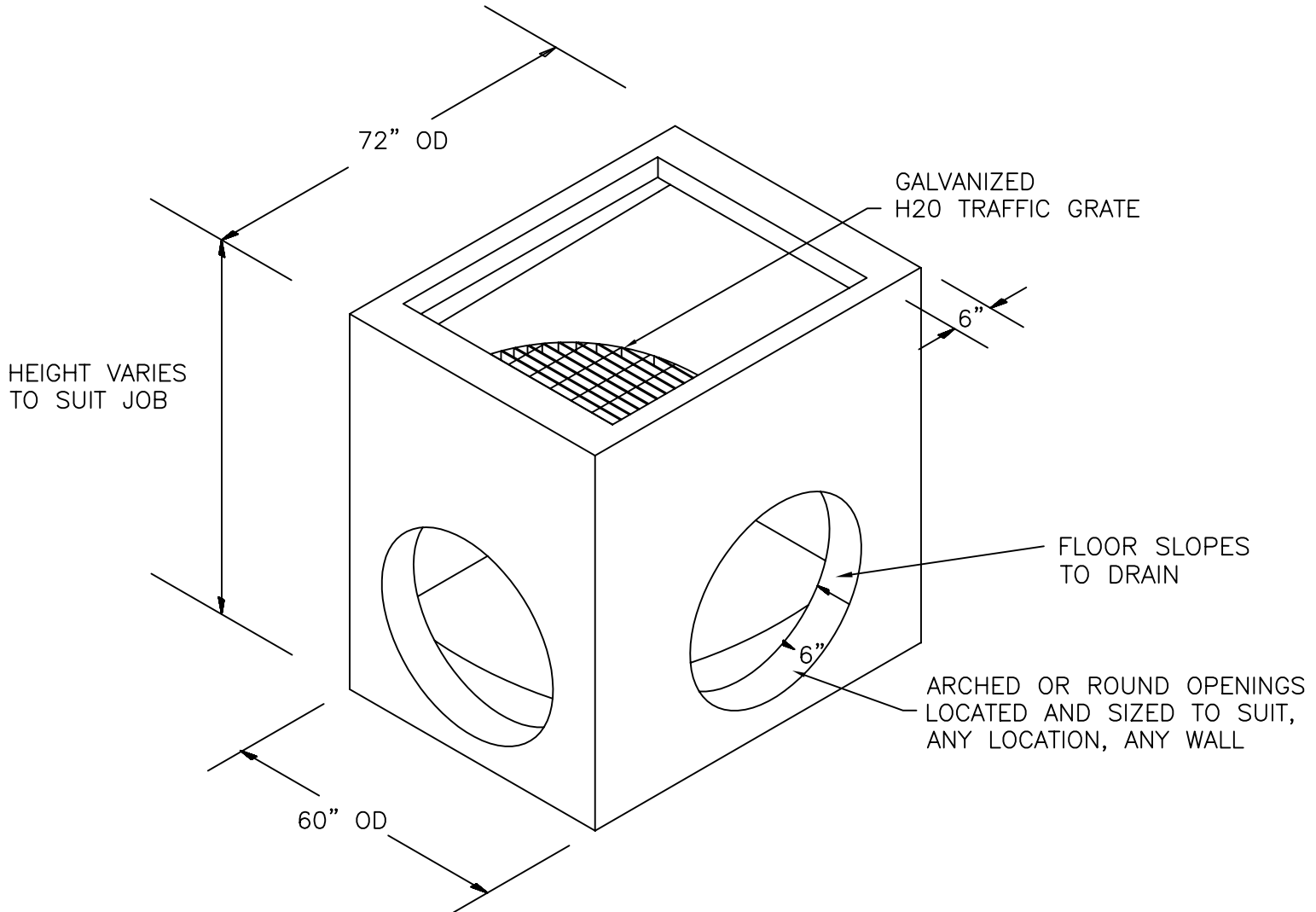
e-mail:

Info@cookconcreteproducts.com

5461 EASTSIDE ROAD

P.O. BOX 720280

REDDING, CA 96099



NOTES:

1. CONCRETE COMPRESSIVE STRENGTH
4000 PSI AT 28 DAYS, REINFORCED FOR
H-20 LOADING
2. UNITS ARE CUSTOM MADE FOR EACH JOB
3. AVAILABLE WITH OR WITHOUT BOTTOM
4. OPENINGS ARE SIZED AND LOCATED PER PLAN
5. WEIGHT WITHOUT BASE 342LBS./FT

48" X 60" CATCH BASIN