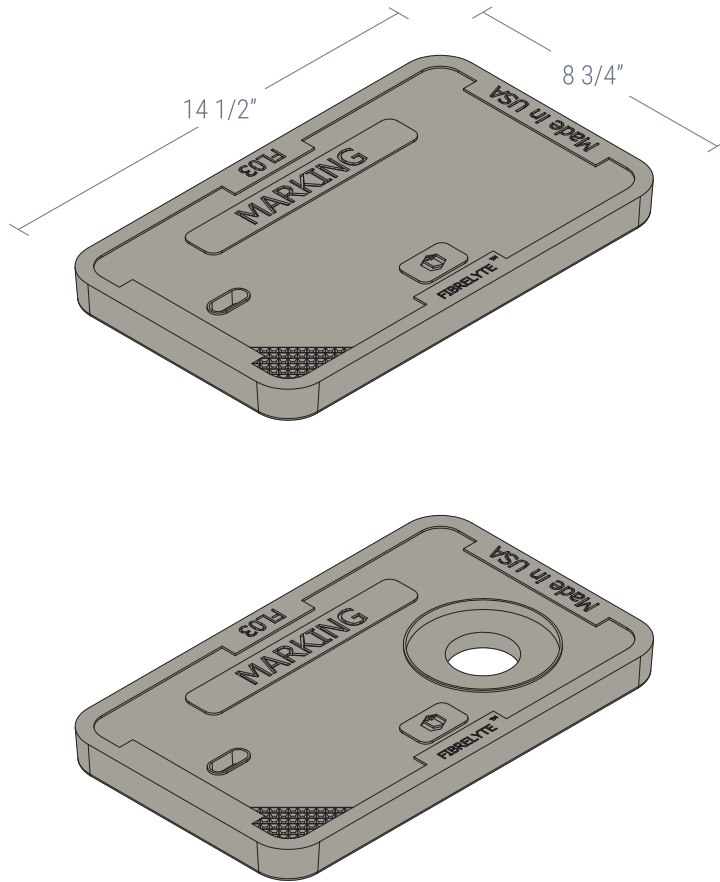


FL03 Composite Cover



Material & Style

Composite
Flush Solid
Slip Resistant
9 X 14"

Hardware

1/2-13 Stainless Steel Hex
Head Bolt, Washer and
Floating Nut

Performance & Weight

ANSI/SCTE-77 Tier 8,
20k vertical loading
5 lbs

Options

Logos and Special Markings
AMR

 **Medium Duty**
ANSI/SCTE TIER 8

For use in non-vehicular traffic situations only. Weights and dimensions may vary slightly. Actual load rating is determined by the box and cover combination.